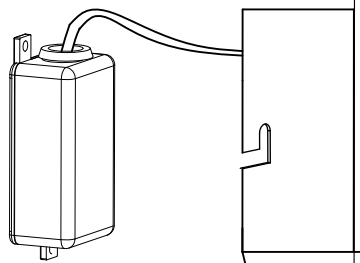
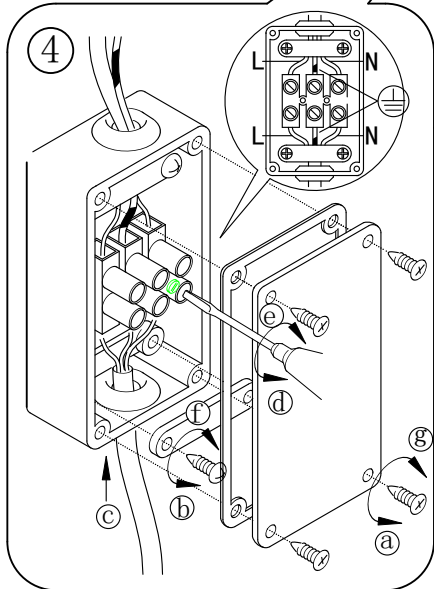
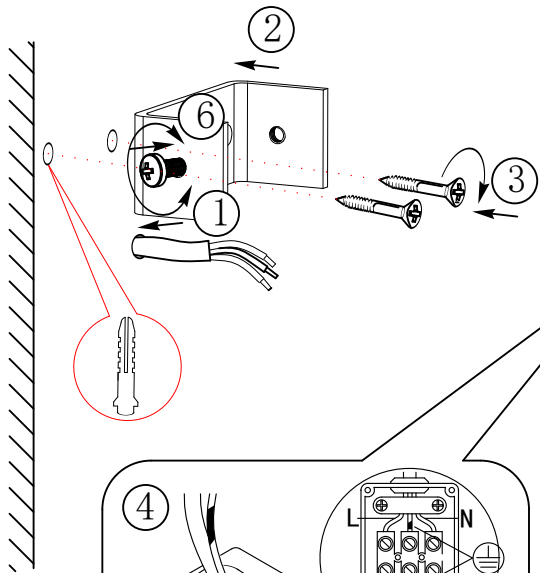
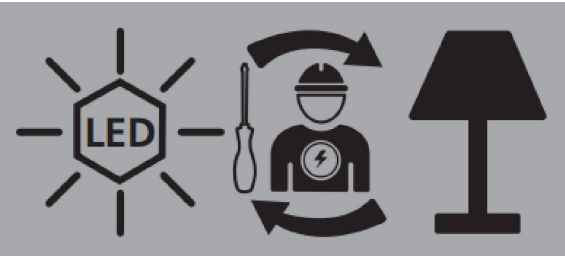
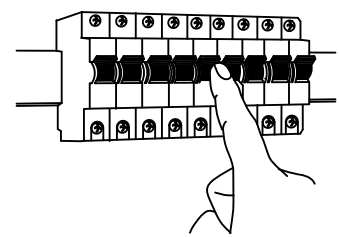


OFF



94803



ON