

A

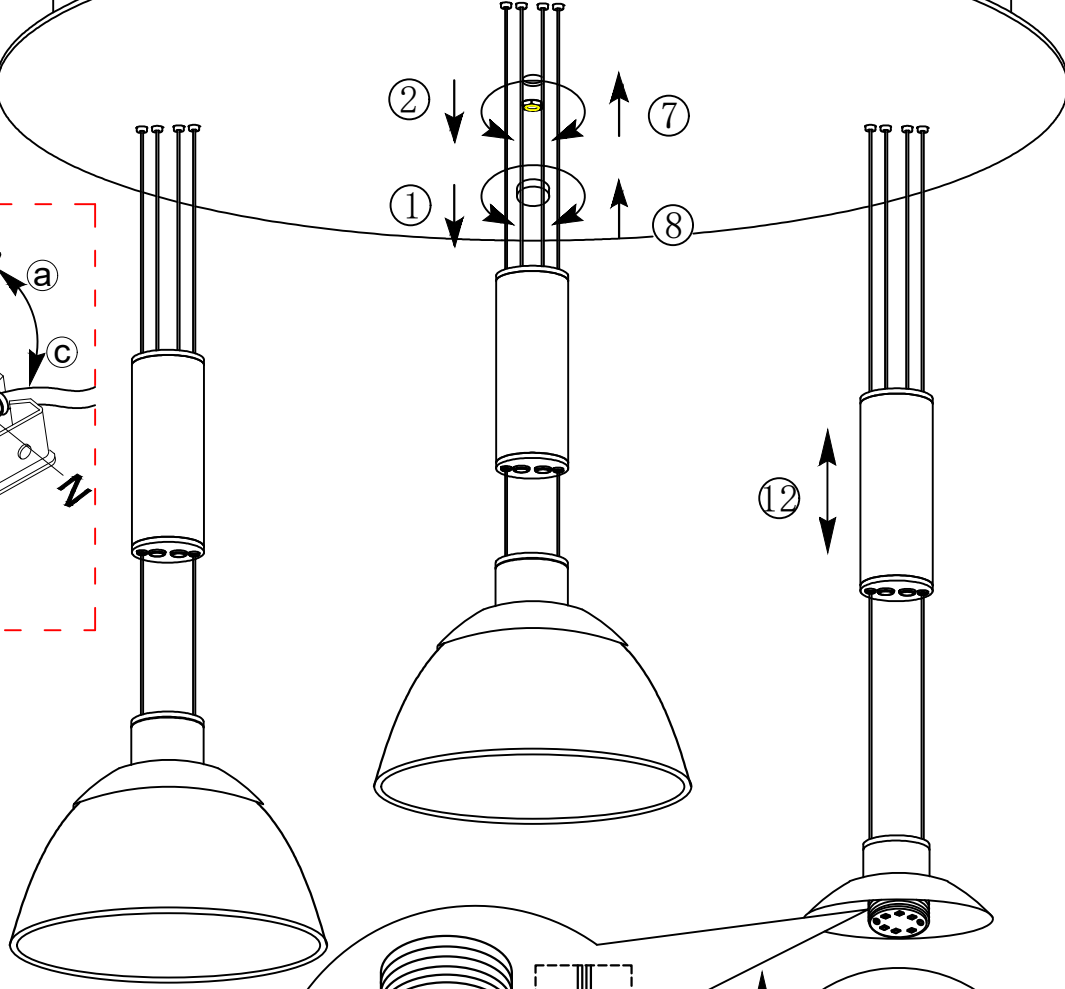
0 F F

③

④

⑥

⑤



②

⑦

①

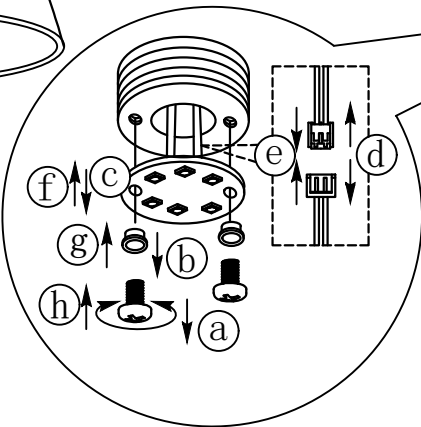
⑧

⑫

B

0 N

C



①

②

③

④

⑤

⑥

⑦

⑧

⑨

⑩

⑪

⑫

BLA93467