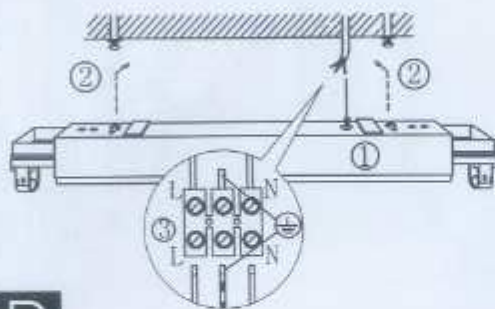
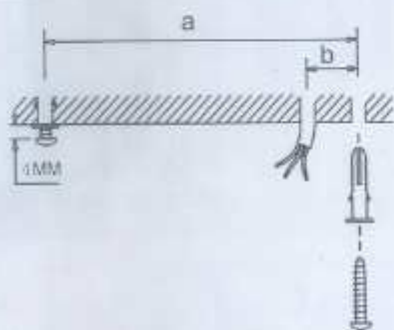


**A**

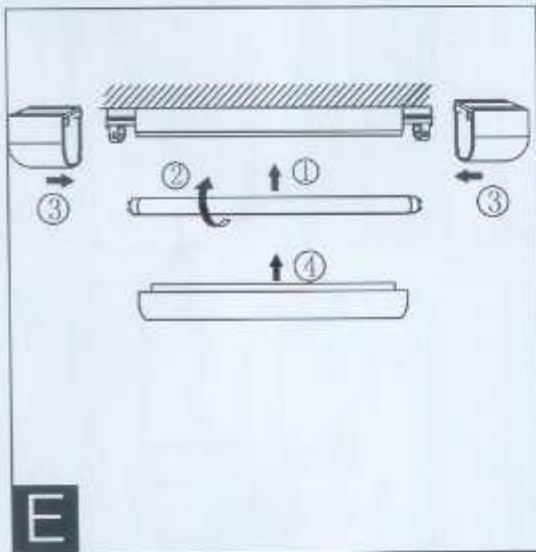


**D**

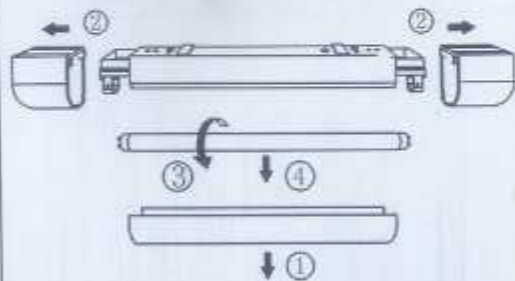


ITEM	a (CM)	b (CM)
BLA 96776	32.8	3.8
BLA 96777	43.2	5.1
BLA 96778	73.4	15.7
BLA 96779	104.1	15.9

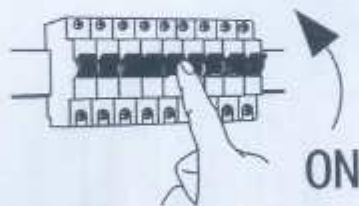
**B**



**E**



**C**



**F**