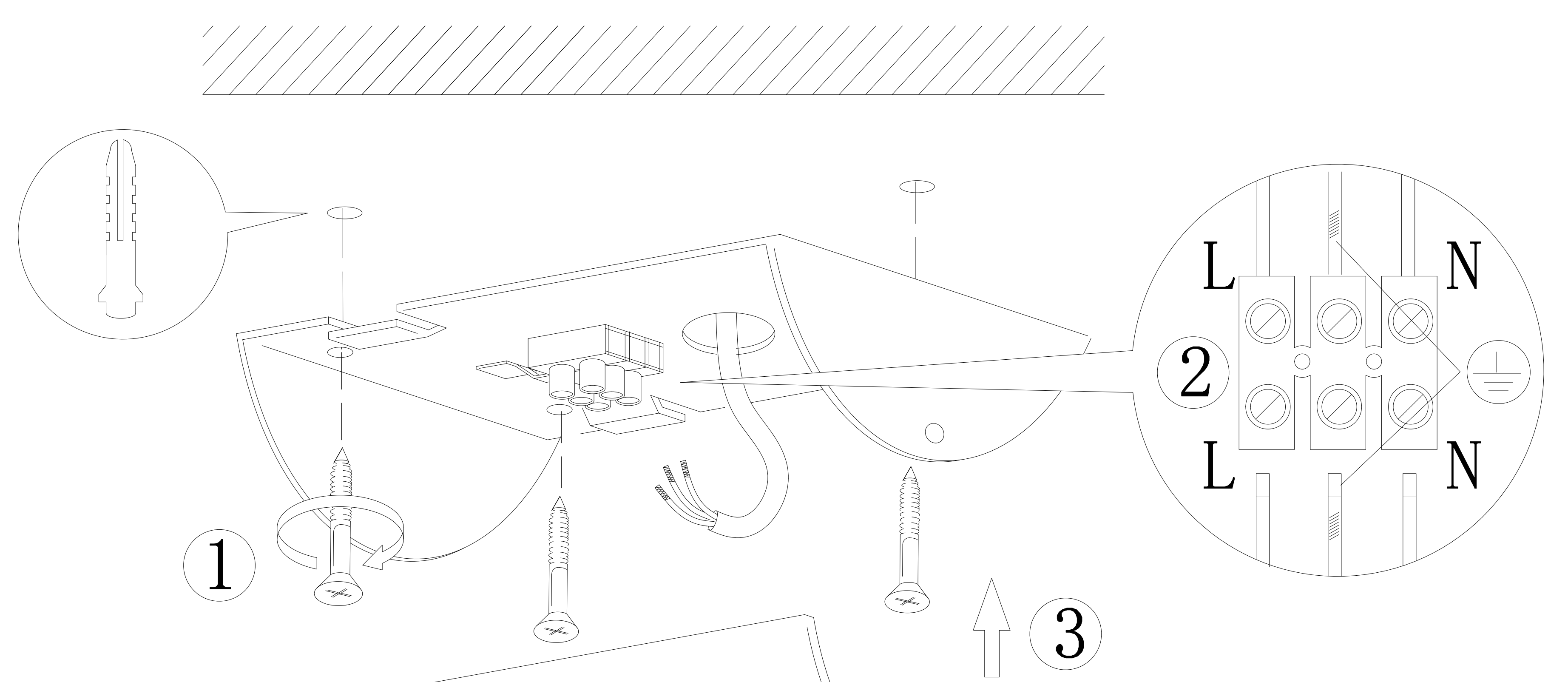


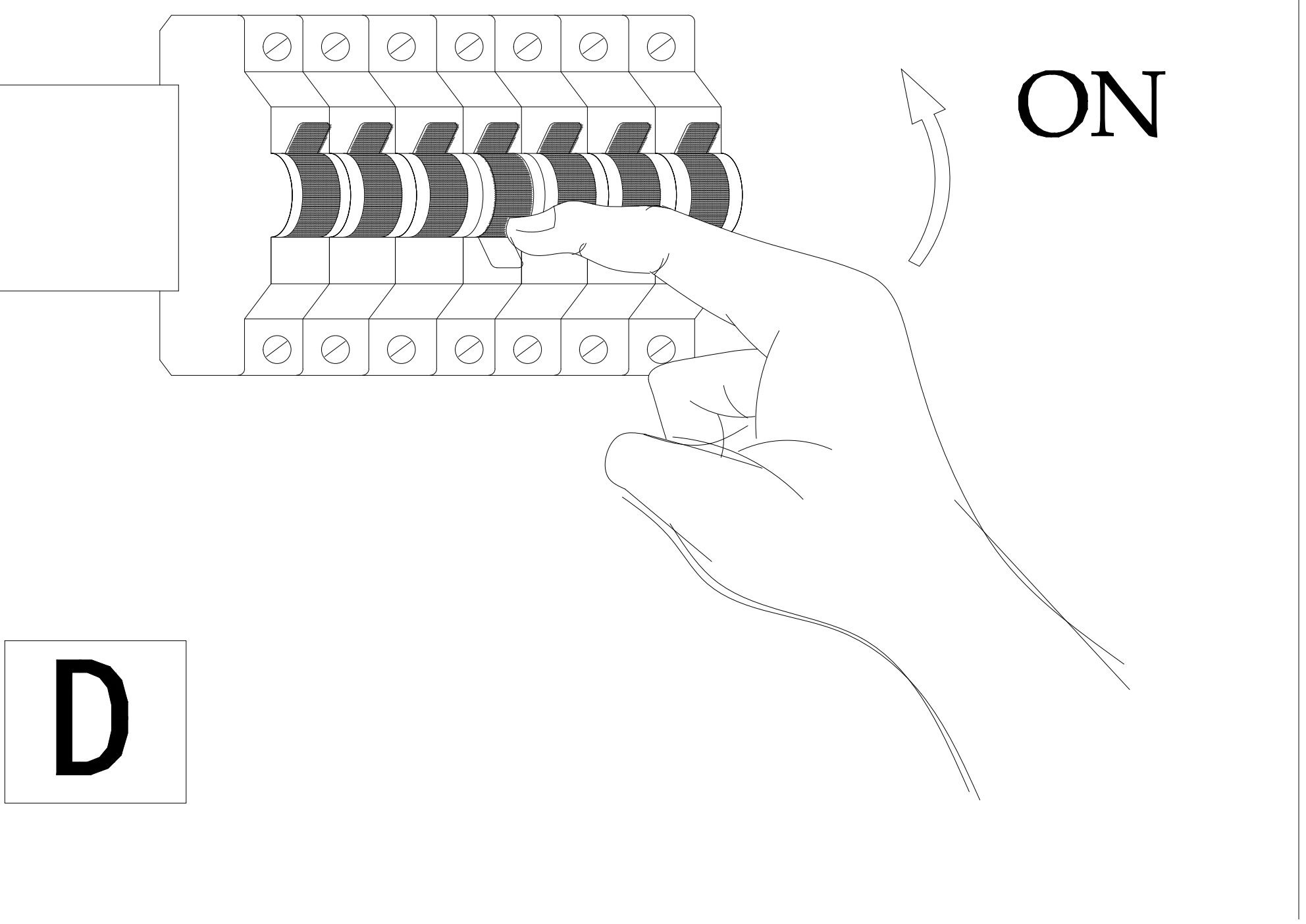
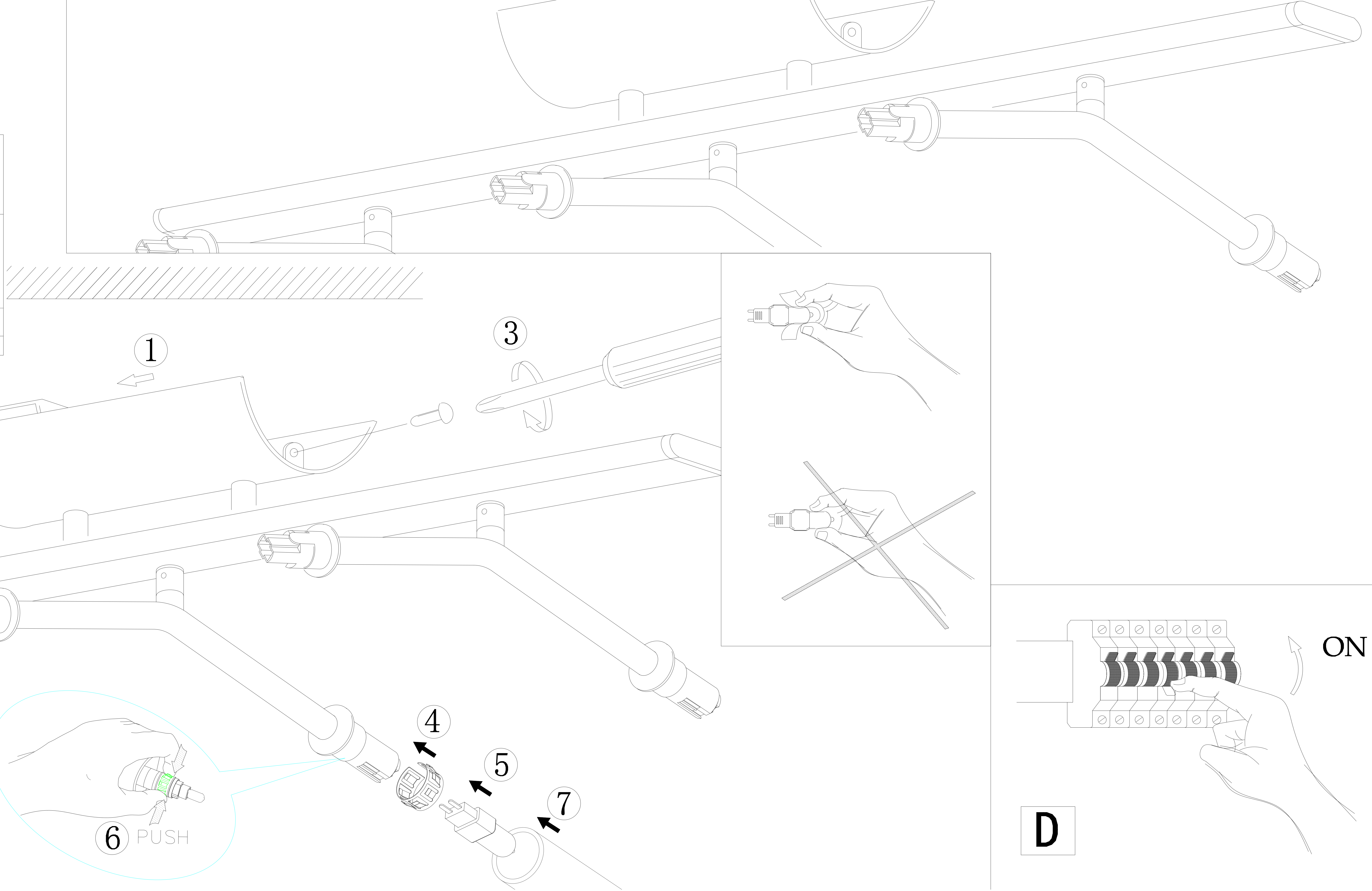
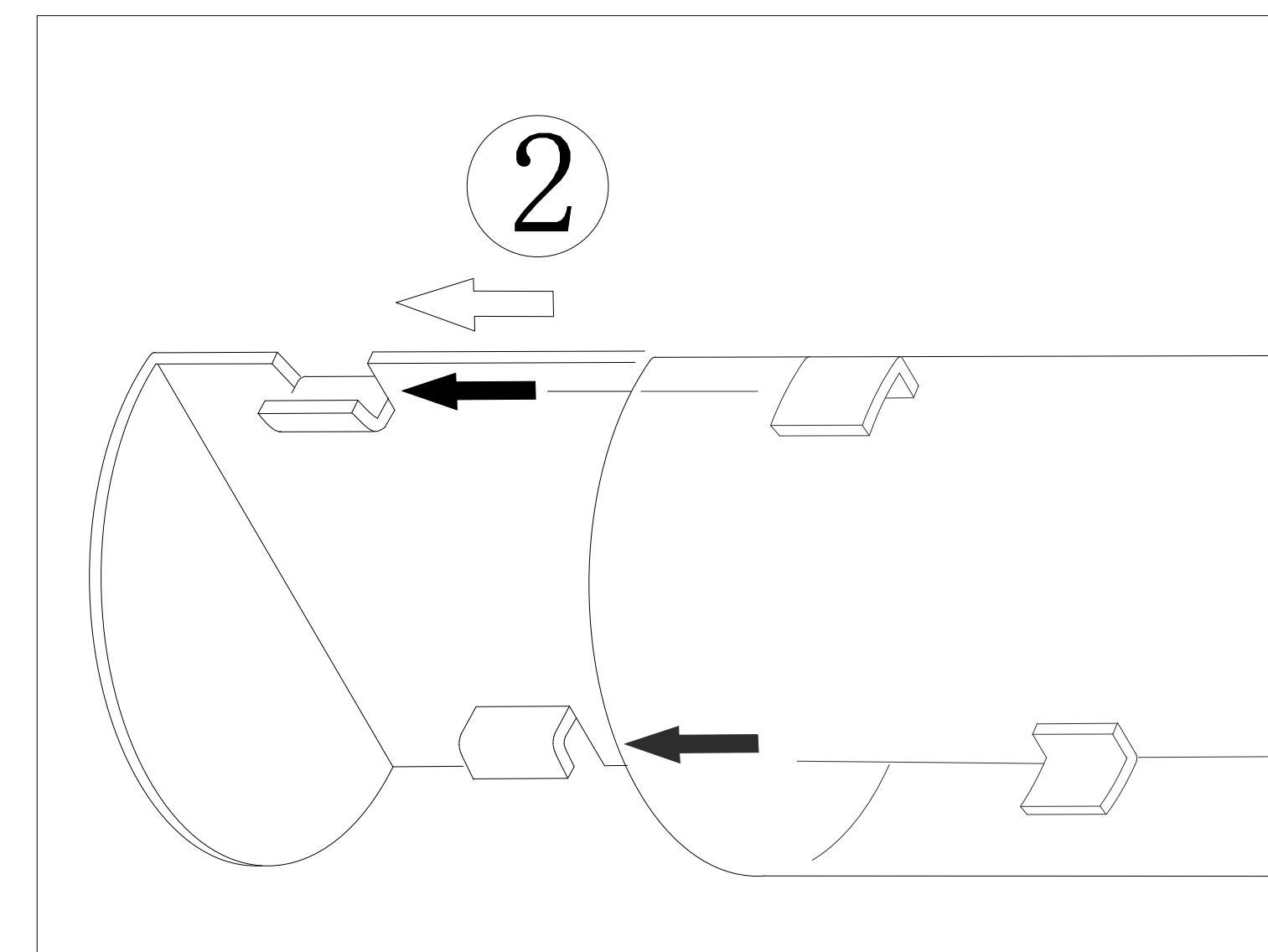
A

OFF

B



C



D

ON

BLA86175-1