

Installation Manual  
Use & Care Guide  
Warranty Information

**TOURBILLION TRI-COLOUR LIGHT KIT**  
205563  
205564  
205565

Thank you for purchasing your new **EGLO ceiling fan light kit**.  
To ensure a safe and successful installation, please make sure to read this manual, ensure it is on hand for your installer to refer to, and keep in a safe place for future reference.



Do not dispose of electrical appliances as unsorted municipal waste, use separate collection facilities. Contact your local council for more information regarding the collection systems available. If electrical appliances are disposed of in landfills or dumps, hazardous substances can leak into the ground water and get into the food chain, damaging your health and well-being.

EGLO Lighting has a policy of continual product improvement and development, dimensions, hardware and designs may change to reflect this policy. EGLO reserves the right to discontinue or change product specifications & designs at any time without notice and without incurring obligations. The images including all features and specifications in this manual are for illustrative purposes only. Product details, images & line drawings may vary depending on specific product models.

## CONTENT

FOR YOUR SAFETY:	4
ASSEMBLING AND INSTALLING THE LIGHT KIT:	5
WIRING CONNECTIONS:	5
CHANGING THE COLOUR OF LED LIGHT:	6
DIMMING THE LIGHT:	6
CLEANING AND MAINTENANCE	6
TROUBLE SHOOTING:	6
SPECIFICATIONS:	6
WARRANTY CLAIMS ON INSTALLED PRODUCTS:	7
1. AUSTRALIAN CONSUMER LAW:	7
2. LIMITED REPAIR / REPLACEMENT WARRANTY:	7
3. WARRANTY TRANSFER:	7
4. WHAT IS NOT COVERED:	8
5. COMMERCIAL USE:	8
WARRANTY CONDITIONS:	9
HOW TO MAKE A WARRANTY CLAIM:	9

## FOR YOUR SAFETY:

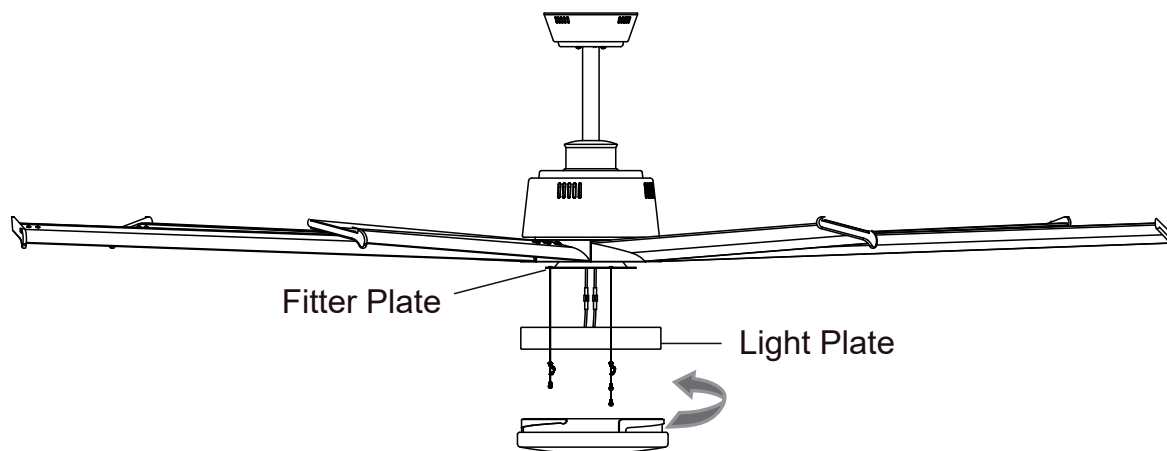
1. Please read this manual carefully before attempting the assembly or installation of your new ceiling fan light kit.
2. ALL electrical work should only be carried out by a suitably qualified and licenced electrical contractor. This ceiling fan light kit MUST be installed ONLY by a suitably qualified and licenced electrical contractor.
3. This appliance is not intended for use by persons (including children) with reduced physical, sensory, or mental capabilities, or lack of experience and knowledge, unless they have been given supervision or instruction concerning the use of the appliance by a person responsible for their safety.
4. Do NOT allow children to play with this appliance, and supervise children around electrical devices at all times.
5. Before commencing any electrical work, ensure the power is disconnected and/or the mains switched off at the circuit box and ensure all pole isolation of the power supply.
6. The fan which this light kit is being fitted to must be earthed.
7. Use ONLY the EGLO controller supplied with the ceiling fan this light kit is being fitted to.
8. Do NOT use ceiling fans and gas appliances in the same room at the same time.
9. Only globes specified on the products rating label are to be used in EGLO ventilation products.
10. All EGLO products are warranted to be free from defects in Workmanship and materials provided the products are used with a voltage supply within the range the product is designed to operate.
11. This ceiling fan light kit is designed for use indoors only.
12. Tourbillion ceiling fan light kits are designed to be used ONLY with Tourbillion ceiling fans. Do not install as a light fixture, or with other ceiling fans.
13. EGLO lighting will not be liable for any advice given to the consumer from any of our suppliers or third parties, related or otherwise.
14. The important safeguards and instructions in this manual are not designed to cover every possible condition or circumstance. It is understood that common sense, caution and care are factors that cannot be built into the product, those using and maintaining this product must supply these factors.

## ASSEMBLING AND INSTALLING THE LIGHT KIT:

**IMPORTANT:** Check that the power is disconnected and/or the mains switched off at the circuit box to ensure all pole isolation of the power supply.

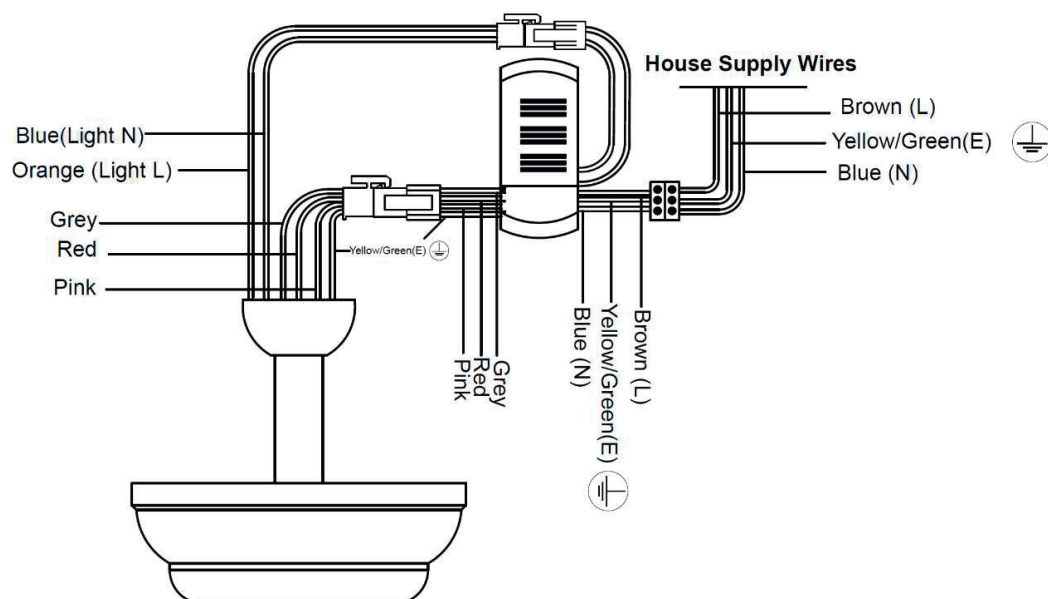
1. Carefully unpack your light kit on a soft surface to avoid damage to the finish.
2. Do not lay the light on its side, as the decorative housing may become bent or damaged.
3. Check that all parts are present before commencing assembly.
4. If any parts are missing, carefully check the packaging and plastic bags for the missing parts, and if they cannot be located, contact EGLO for assistance before commencing assembly or installation.
5. Remove the 3 screws on the bottom cap and remove it from the fitter plate.
6. Holding the light plate, connect the plug connectors from the light kit, with the plug connectors from the bottom of the fan.
7. Align the slotted holes on light plate and fitter plate and tighten back the 3 screws.
8. Install the lamp shade onto fan by twisting on. Refer to Fig 1.

Fig. 1



## WIRING CONNECTIONS:

**WARNING:**  
FOR YOUR SAFETY ALL ELECTRICAL CONNECTIONS MUST ONLY BE UNDERTAKEN BY A QUALIFIED AND LICENSED ELECTRICIAN.

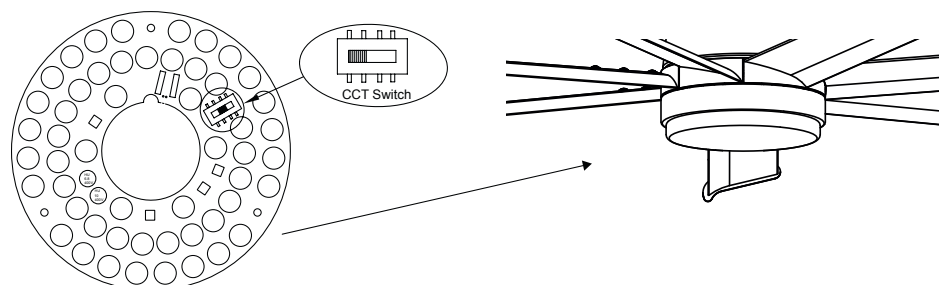


**Note:** For safe use of this fan, and all-pole disconnection MUST be incorporated into the fixed wiring in accordance with the wiring rules. As outlined in clause 7.12.2 of AS/NZS 60335-1 for meeting the minimum electrical safety of this standard. A single-pole switch also must be placed in the same room as the fan as per local wiring regulations AS3000.

## CHANGING THE COLOUR OF LED LIGHT:

The LED light is equipped with a colour changing toggle switch to change between warm white, neutral white or cool white. The switch is located on the LED board itself.

Warning: Ceiling fan and LED light must be switched off before changing the CCT



## DIMMING THE LIGHT KIT:

The Tourbillon Tri-Colour light kit includes a step-dimming function. Operation of the light and the step-dimming is controlled by the 'Light On/Off button';

- Press and release to turn light on or off.
- Press off/on again within 3 seconds for dim to 50%
- Press off/on again within 3 seconds for dim to 10%
- Press off/on again within 3 seconds to return to 100%
- Press off exceed 3 seconds and turn on, light returns to previous brightness setting

## CLEANING AND MAINTENANCE:

All EGLO ceiling fan light kits need to be maintained regularly to ensure performance is maintained.

Your fans natural movement can cause screws to loosen. Every 6 months, check that ALL screws are securely tightened with a screwdriver. All EGLO ventilation products should be cleaned regularly to insure against corrosion from salt, dust and moisture, both externally and internal (where allowed and possible).

For cleaning, a soft brush or lint-free cloth should be used to prevent scratching the finish. Surface smudges or an accumulation of dirt and dust can easily be removed by using a mild detergent and only a slightly dampened cloth.

**Note:** Do NOT use abrasive cleaning agents as they may damage the finish.

## TROUBLE SHOOTING:

### WARNING: CEILING FAN MUST BE SWITCHED OFF AND ISOLATED BEFORE COMMENCING ANY TROUBLE SHOOTING

(\*) May require the assistance of a qualified and licenced electrical contractor.

PROBLEM	POSSIBLE CAUSE	POSSIBLE REMEDY
Light will not turn ON.	Fuse or circuit breaker blown.	<b>Turn power OFF.</b> Check fuses and circuit breaker. (*)
	Loose mains connections to fan.	<b>Turn power OFF.</b> Check connections at terminal block. (*)
	Controller/switch not in correct position.	<b>Turn power OFF.</b> Check that controller/switch is in the correct position.
	Light wires from receiver not connected	<b>Turn power OFF.</b> Check connections inside canopy, ensuring light wires are connected.

## SPECIFICATIONS:

Input V: 220-240 V, 50 Hz  
Wattage: 18 W  
Weight: 0.7 kg

## WARRANTY CLAIMS ON INSTALLED PRODUCTS:

EGLO Lighting (EGLO) will not be liable for charges incurred by the consumer for rectification, deinstallation or reinstallation unless approved by EGLO management in writing.

All claims are to be submitted in writing to head office with a copy of the original purchaser's receipt, a copy of the certificate of compliance or installers invoice including qualified installer's licence number and a completed Warranty Claims Form. Incomplete submissions will not be considered.

### 1. AUSTRALIAN CONSUMER LAW:

The benefits given to you the consumer in this warranty document are in addition to your other rights and remedies under a law in relation to the products to which this warranty document relates.

"YOUR CONSUMER RIGHTS": "Our goods come with guarantees that cannot be excluded under the Australian Consumer Law. You are entitled to a replacement or refund for a major failure and compensation for any other reasonably foreseeable loss or damage. You are also entitled to have the goods repaired or replaced if the goods fail to be of acceptable quality and the failure does not amount to a major failure."

Subject to "Your Consumer Rights" outlined above, but otherwise to the maximum extent permitted by law, EGLO will not be liable for any consequential or indirect loss or damage suffered or incurred by you in relation to an EGLO product, including but not limited to loss of use, loss or damage for business interruption, or profits.

### 2. LIMITED REPAIR / REPLACEMENT WARRANTY:

EGLO offers the original purchaser a repair or replacement of the EGLO product in cases where the product fails due to defective materials or workmanship when installed and operated under normal domestic/residential conditions for 5 years from the date of original purchase. Please refer to the warranty period listed on each product to determine the warranty period which EGLO grants to the original purchaser of the EGLO product. The warranty period begins from the date of purchase. Also, please refer to WHAT IS NOT COVERED.

You must provide proof of purchase (such as the original dated purchase receipt/invoice) from an authorised EGLO reseller to make a warranty claim. You must also provide a certificate of compliance or installers invoice including qualified installers licence number. Warranty claims submitted without this documentation WILL NOT BE ACCEPTED. This warranty will not apply if the ceiling fan is installed by anyone other than a qualified and licensed electrical contractor.

Light Globes (if supplied) are done so as a complimentary (free) item only, and not covered by warranty.

#### **REPAIRS / REPLACEMENTS**

EGLO products presented for repair may be replaced by refurbished goods of the same type rather than being repaired at the discretion of EGLO. Refurbished parts may be used to repair the goods to proper order.

#### **BALANCE OF WARRANTY**

To the maximum extent permitted by law, any product replaced, repaired or refurbished by EGLO is covered only by the balance of the warranty period remaining from the date of original purchase of the original EGLO product.

### 3. WARRANTY TRANSFER:

If the ownership changes on the dwelling/premises where the EGLO product is installed, the balance of the warranty period passes to the new owner provided the original proof of purchase (such as the original dated purchase receipt) from an authorised EGLO retailer is retained by the new owner. In addition, a certificate of compliance for the installation from the installing electrician is required for products requiring installation by licensed electricians.

Failure to transfer of these documents will result in the balance of the warranty being void.

#### 4. WHAT IS NOT COVERED:

Subject to "Your Consumer Rights", but otherwise to the maximum extent permitted by law, the EGLO warranties provided in this document will not cover the following:

1. EGLO products that are not purchased from an authorised retailer in Australia and installed in Australia.
2. Where installation was not carried out by a qualified and licensed electrical contractor or where evidence of installation by a qualified and licensed electrical contractor cannot be presented.
3. EGLO products not installed in accordance with the product's installation instructions or specifications.
4. EGLO products not operated in accordance with the instructions for use, or specifications.
5. EGLO products that have been modified in any manner.
6. Changes to the housing, plated and or painted finishes due to climatic conditions (moisture, salt, dust etc) or after 6 months from the date of original purchase.
7. Defect, damage or failure to a EGLO product resulting from misuse, accident, neglect, abuse, tampering, modifications or unauthorised repairs of any kind by any person.
8. Damages not caused by a fault in the EGLO product materials or workmanship.
9. Defect, damage or failure to a EGLO product resulting from any acts of God, including damages from lightning, power grid fluctuations, or power surges.
10. Replacement of light sources (globes) unless specified.
11. Replacement of batteries supplied with certain products.
12. Damage caused by alternative power systems (for example: solar inverters, etc.).
13. Water damage of any kind caused by inappropriate placement of fittings not IP rated for that location.
14. Transportation and in-transit insurance costs, if the product or parts thereof have to be returned for repair or replacement to the retailer or the authorised service agent.
15. Non-structural corrosion damage of non-316 stainless steel components such as surface rust or minor rust.
16. Faults deemed cause by a lack of regular maintenance, e.g. screws and nuts becoming loose.

#### 5. COMMERCIAL USE:

EGLO products which are specifically designed for commercial use are designated as Commercial Use Products on the product packaging.

All other EGLO products are designed for domestic use only.

This product is not designed or intended for industrial or commercial use.



## WARRANTY CONDITIONS:

- This warranty is for 240V 50Hz products originally purchased and installed in Australia ONLY.
- Installation must be performed by a qualified and licensed electrician. The warranty will not apply if the product is installed by other than a qualified and licensed electrician.
- Problems arising from incorrect installation are not covered by warranty.
- The cost of repairs arising from incorrect installation, not due to faulty material or workmanship in accordance with the EGLO warranty, will be payable by the purchaser at the time of repair.
- This warranty is only valid for appliances used according to the manufacturer's instructions.
- The manufacturer does not accept liability for any direct or consequential damage, loss or other expense arising from misuse or incorrect installation and operation of the appliance.
- Warranty will only be provided where proof of qualified electrical installation is provided. E.g. Electrical Safety Certificate.
- Warranty will not be provided if installation is without an all-pole disconnection incorporated in the fixed wiring in accordance with the wiring rules.
- The manufacturer will not accept in home expenses unless authorisation is granted prior to work commencing, and a Approval Reference Number (ARN) allocated by EGLO.
- This product is not designed or intended for industrial or commercial use.

## HOW TO MAKE A WARRANTY CLAIM:

**Limited repair/replacement warranty:** Please return the faulty EGLO product together with a copy of the proof of purchase, and if required, a certificate of compliance for the installation of the product by the licensed electrician who installed the product, to the authorised EGLO retailer where the product was purchased. To the maximum extent permitted by law, the customer must bear the costs and expenses of claiming under this warranty, including but not limited to the cost incurred in freight, postage, handling, travel, dismantling or reinstalling the product.

IN THE CASE OF MISSING ACCESSORIES OR PARTS, PLEASE CONTACT EGLO CUSTOMER SERVICE BEFORE COMMENCING INSTALLATION OF THE PRODUCT. IF YOUR PRODUCT IS DEFECTIVE OR EXCESSIVELY NOISY, PLEASE FIRST REFER TO THE TROUBLE SHOOTING SECTION OF THIS MANUAL AND PERFORM ALL CHECKS, AND THEN CONTACT EGLO CUSTOMER SERVICE BEFORE THE ELECTRICIAN LEAVES THE RESIDENCE WHERE THE INSTALLATION IS TAKING PLACE.



To help us assist you with your claim, please complete the enclosed warranty form in full.

## WARRANTY CLAIM FORM

APPROVAL NO:	
--------------	--

PURCHASE DETAILS			
Store Name:			
Date of Purchase:		Receipt:	YES <input type="checkbox"/> NO <input type="checkbox"/>
Contact Person:		Store Ph.:	

CUSTOMER DETAILS			
Name:			
Address:			
City, Suburb:		State:	
Postcode:		Ph-Home:	
Ph-Mobile:		Ph-Work:	
Email:			

INSTALLER DETAILS			
Name:			
Licence No.:		Install Date:	
Cert of Elect Safety:	YES <input type="checkbox"/> NO <input type="checkbox"/>	PH - Mobile:	
Email:			

PRODUCT DETAILS				
EGLO Model No.:	205563 <input type="checkbox"/>	205564 <input type="checkbox"/>	205565 <input type="checkbox"/>	
Fault Details:				
Remote Control:	YES <input type="checkbox"/> NO <input type="checkbox"/>	Model No.:		

EGLO USE ONLY			
Date:		Electrician:	
Quote No.:		Cost to Rectify:	
Approved By:		Signed:	

Please email this form, together with a copy of your purchase receipt, and installers invoice to **EGLO LIGHTING: warranty@eglolighting.com.au**, or call **1800 254 448** for assistance.



**EGLO LIGHTING AUSTRALIA**

5/339 Archerfield Road  
Richlands  
Queensland 4077  
[www.eglo.com.au](http://www.eglo.com.au)