

Thank you for purchasing your new **EGLO ceiling fan light kit**.
To ensure a safe and successful installation, please make sure to read this manual, ensure it is on hand for your installer to refer to, and keep in a safe place for future reference.



Do not dispose of electrical appliances as unsorted municipal waste, use separate collection facilities. Contact your local council for more information regarding the collection systems available. If electrical appliances are disposed of in landfills or dumps, hazardous substances can leak into the ground water and get into the food chain, damaging your health and well-being.

EGLO Lighting has a policy of continual product improvement and development, dimensions, hardware and designs may change to reflect this policy. EGLO reserves the right to discontinue or change product specifications & designs at any time without notice and without incurring obligations. The images including all features and specifications in this manual are for illustrative purposes only. Product details, images & line drawings may vary depending on specific product models.

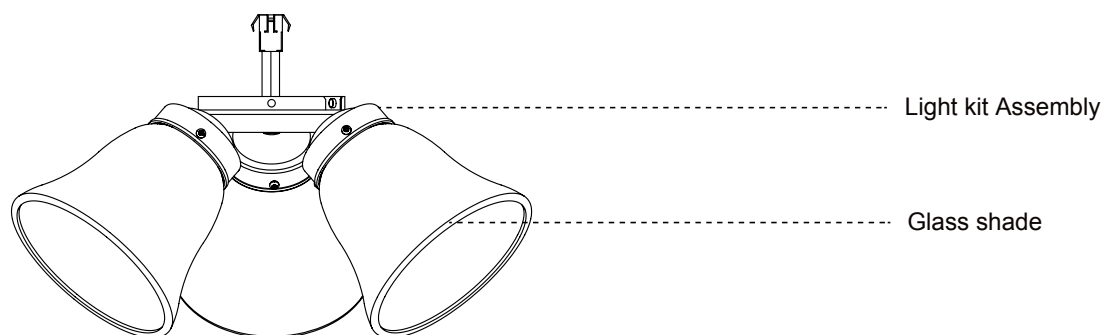
FOR YOUR SAFETY:

1. Please read this manual carefully before attempting the assembly or installation of your new ceiling fan light kit.
2. ALL electrical work should only be carried out by a suitably qualified and licenced electrical contractor. This ceiling fan light kit MUST be installed ONLY by a suitably qualified and licenced electrical contractor.
3. This appliance is not intended for use by persons (including children) with reduced physical, sensory, or mental capabilities, or lack of experience and knowledge, unless they have been given supervision or instruction concerning the use of the appliance by a person responsible for their safety.
4. Do NOT allow children to play with this appliance, and supervise children around electrical devices at all times.
5. Before commencing any electrical work, ensure the power is disconnected and/or the mains switched off at the circuit box and ensure all pole isolation of the power supply.
6. The fan which this light kit is being fitted to must be earthed.
7. Use ONLY the EGLO controller supplied with the ceiling fan this light kit is being fitted to.
8. Do NOT use ceiling fans and gas appliances in the same room at the same time.
9. Only globes specified on the products rating label are to be used in EGLO ventilation products.
10. All EGLO products are warranted to be free from defects in Workmanship and materials provided the products are used with a voltage supply within the range the product is designed to operate.
11. This ceiling fan light kit is designed for use indoors only.
12. WAIKIKI ceiling fan light kits are designed to be used ONLY with WAIKIKI ceiling fans. Do not install as a light fixture, or with other ceiling fans.
13. EGLO lighting will not be liable for any advice given to the consumer from any of our suppliers or third parties, related or otherwise.
14. The important safeguards and instructions in this manual are not designed to cover every possible condition or circumstance. It is understood that common sense, caution and care are factors that cannot be built into the product, those using and maintaining this product must supply these factors.

BEFORE INSTALLATION:

- Carefully unpack your light kit on a soft surface to avoid damage to the fan finish.
- Check that all parts are present before commencing assembly. Refer to Parts List.
- If any parts are missing, carefully check the packaging, polyfoam and plastic bags for the missing parts, and if they cannot be located, contact EGLO for assistance before commencing assembly or installation.

PARTS LIST:



MODEL	INPUT	WATTAGE	WEIGHT
20518401, 20518402, 20518408, 20518409, 20518411	220-240V, 50Hz	40W x 3 (Bulbs not included)	1.1Kg

TOOLS REQUIRED:

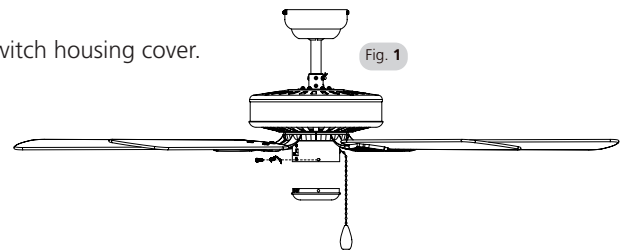
- Phillips head screwdriver
- Pair of pliers
- Ladder
- Wiring supply cable as required by AS/NZS 3000 wiring rules.

Note: The use of electric drivers can overtighten the screws and damage threads, DO NOT use power tools for tightening screws.

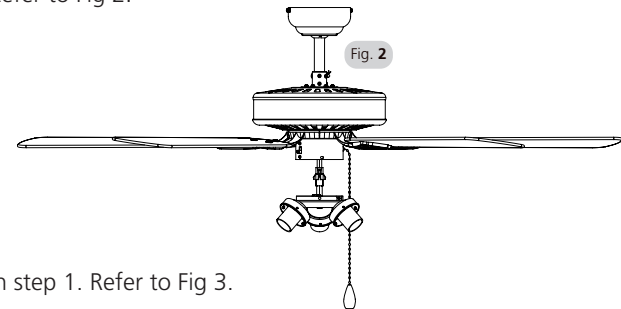
ASSEMBLING AND INSTALLING THE LIGHT KIT:

IMPORTANT: Check that the power is disconnected and/or the mains switched off at the circuit box to ensure all pole isolation of the power supply.

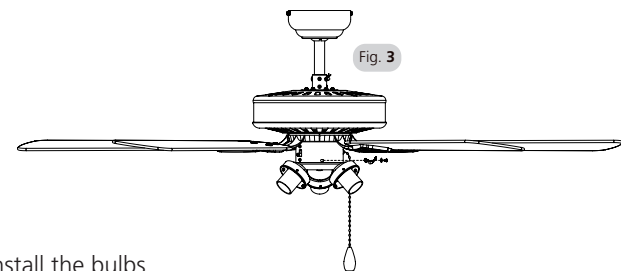
1. Remove the 3 screws located on the switch housing, and remove the switch housing cover. Refer to Fig 1.



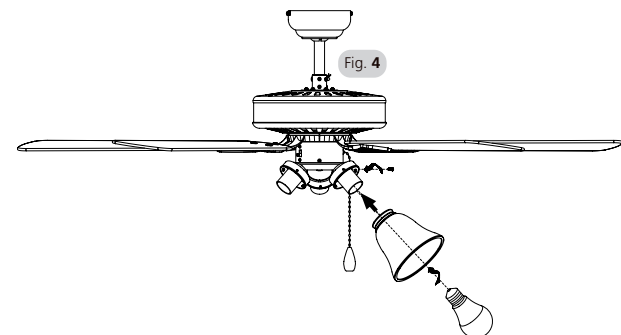
2. Connect the light kit wiring by connecting the quick connector plugs. Refer to Fig 2.



3. Attach the light kit to the switch housing using the 3 screws removed in step 1. Refer to Fig 3.



4. Install the glass shade to the socket using the 3 screws provided. And install the bulbs (Max.40W, no provided). Refer to Fig 4.



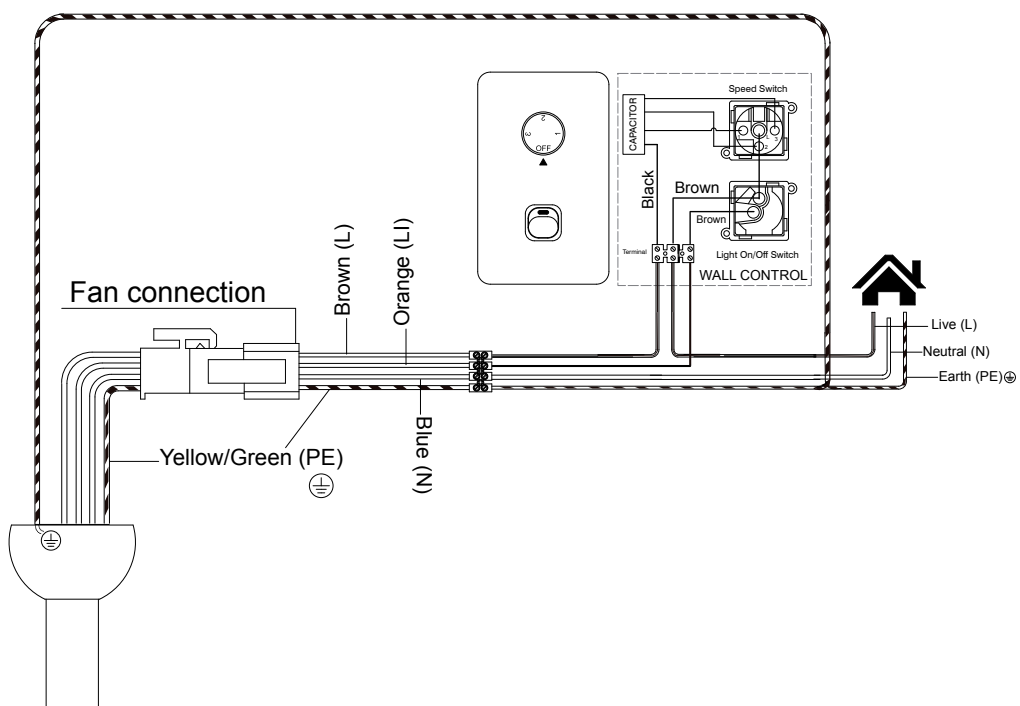
5. Re-check that all screws are properly tightened.

Note: The use of electric drivers can overtighten the screws and damage threads, DO NOT use power tools for tightening screws.

WIRING CONNECTIONS: (WAIKIKI Ceiling Fan)

WARNING:
FOR YOUR SAFETY ALL ELECTRICAL CONNECTIONS MUST ONLY BE UNDERTAKEN BY A QUALIFIED AND LICENSED ELECTRICIAN.

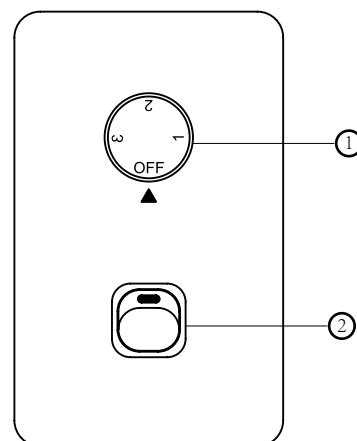
Note: For safe use of this fan, and all-pole disconnection **MUST** be incorporated into the fixed wiring in accordance with the wiring rules. As outlined in clause 7.12.2 of AS/NZS 60335-1 for meeting the minimum electrical safety of this standard. A single-pole switch also must be placed in the same room as the fan as per local wiring regulations AS3000.



OPERATING YOUR WALL CONTROL:

1. Fan speeds (1= Low, 2=Middle, 3= High, OFF: Turn the fan OFF)
2. Turn the light power ON/OFF

Note: Make sure the Fan Pull chain control is set to high speed.



WARRANTY CLAIMS ON INSTALLED PRODUCTS:

EGLO Lighting (EGLO) will not be liable for charges incurred by the consumer for rectification, deinstallation or reinstallation unless approved by EGLO management in writing.

All claims are to be submitted in writing to head office with a copy of the original purchaser's receipt, a copy of the certificate of compliance or installers invoice including qualified installer's licence number and a completed Warranty Claims Form. Incomplete submissions will not be considered.

1. AUSTRALIAN CONSUMER LAW:

The benefits given to you the consumer in this warranty document are in addition to your other rights and remedies under a law in relation to the products to which this warranty document relates.

"YOUR CONSUMER RIGHTS": "Our goods come with guarantees that cannot be excluded under the Australian Consumer Law. You are entitled to a replacement or refund for a major failure and compensation for any other reasonably foreseeable loss or damage. You are also entitled to have the goods repaired or replaced if the goods fail to be of acceptable quality and the failure does not amount to a major failure."

Subject to "Your Consumer Rights" outlined above, but otherwise to the maximum extent permitted by law, EGLO will not be liable for any consequential or indirect loss or damage suffered or incurred by you in relation to an EGLO product, including but not limited to loss of use, loss or damage for business interruption, or profits.

2. LIMITED REPAIR / REPLACEMENT WARRANTY:

EGLO offers the original purchaser a repair or replacement of the EGLO product in cases where the product fails due to defective materials or workmanship when installed and operated under normal domestic/residential conditions for 5 years from the date of original purchase. Please refer to the warranty period listed on each product to determine the warranty period which EGLO grants to the original purchaser of the EGLO product. The warranty period begins from the date of purchase. Also, please refer to WHAT IS NOT COVERED.

You must provide proof of purchase (such as the original dated purchase receipt/invoice) from an authorised EGLO reseller to make a warranty claim. You must also provide a certificate of compliance or installers invoice including qualified installers licence number. Warranty claims submitted without this documentation WILL NOT BE ACCEPTED. This warranty will not apply if the ceiling fan is installed by anyone other than a qualified and licensed electrical contractor.

Light Globes (if supplied) are done so as a complimentary (free) item only, and not covered by warranty.

REPAIRS / REPLACEMENTS

EGLO products presented for repair may be replaced by refurbished goods of the same type rather than being repaired at the discretion of EGLO. Refurbished parts may be used to repair the goods to proper order.

BALANCE OF WARRANTY

To the maximum extent permitted by law, any product replaced, repaired or refurbished by EGLO is covered only by the balance of the warranty period remaining from the date of original purchase of the original EGLO product.

3. WARRANTY TRANSFER:

If the ownership changes on the dwelling/premises where the EGLO product is installed, the balance of the warranty period passes to the new owner provided the original proof of purchase (such as the original dated purchase receipt) from an authorised EGLO retailer is retained by the new owner. In addition, a certificate of compliance for the installation from the installing electrician is required for products requiring installation by licensed electricians.

Failure to transfer of these documents will result in the balance of the warranty being void.

Note: For full details of warranty details and process, please refer to the manual supplied with your Waikiki ceiling fan.