

Installation Manual
Use & Care Guide
Warranty Information

STRADBROKE Ceiling Fan

STRADBROKE ceiling fans

48": 20491401, 20491402, 20491404

52": 20491501, 20491502, 20491504

STRADBROKE ceiling fans & Tri-colour LED Light

48": 20491601, 20491602, 20491604

52": 20491701, 20491702, 20491704

STRADBROKE ceiling fans & 2xE27 Socket Light

48": 20490901, 20490902, 20490904

52": 20491201, 20491202, 20491204



Do not dispose of electrical appliances as unsorted municipal waste, use separate collection facilities. Contact your local council for more information regarding the collection systems available. If electrical appliances are disposed of in landfills or dumps, hazardous substances can leak into the ground water and get into the food chain, damaging your health and well-being.

EGLO Lighting has a policy of continual product improvement and development, dimensions, hardware and designs may change to reflect this policy. EGLO reserves the right to discontinue or change product specifications & designs at any time without notice and without incurring obligations. The images including all features and specifications in this manual are for illustrative purposes only. Product details, images & line drawings may vary depending on specific product models.

CONTENT

FOR YOUR SAFETY:	4
BEFORE INSTALLATION:	5
SELECTING A LOCATION:	6
INSTALLING THE HANGING BRACKET:	6
ASSEMBLING AND INSTALLING THE FAN:	6
CHANGING THE COLOUR OF LED LIGHT:	7
WIRING CONNECTIONS:.....	7
WIRING DIAGRAM (with Light):	8
WIRING DIAGRAM (without Light):.....	8
FUNCTION OF THE WALL CONTROL.....	8
REVERSE FUNCTION:	9
CLEANING AND MAINTENANCE:.....	9
TROUBLE SHOOTING.....	9
CHECKLIST:.....	10
WARRANTY CLAIMS ON INSTALLED PRODUCTS:.....	11
1. AUSTRALIAN CONSUMER LAW:.....	11
2. LIMITED REPAIR / REPLACEMENT WARRANTY:	11
3. IN-HOME WARRANTY:	12
4. WARRANTY TRANSFER:	12
5. WHAT IS NOT COVERED:	13
6. COMMERCIAL USE:	13
WARRANTY CONDITIONS:.....	14
HOW TO MAKE A WARRANTY CLAIM:	14

Thank you for purchasing your new **EGLO ceiling fan.**

To ensure a safe and successful installation, please make sure to read this manual, ensure it is on hand for your installer to refer to, and keep in a safe place for future reference.

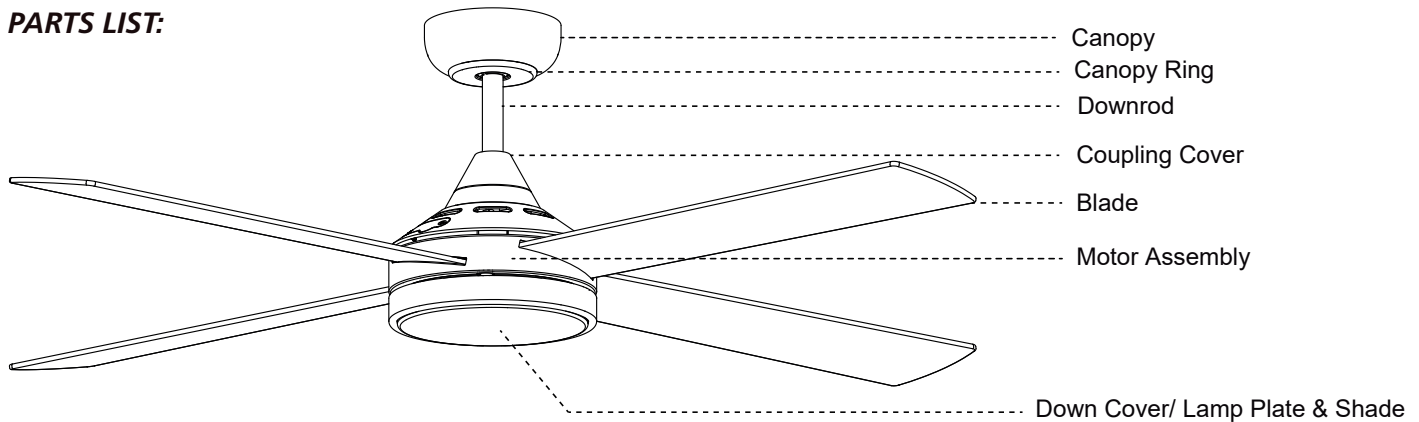
FOR YOUR SAFETY:

1. Please read this manual carefully before attempting the assembly or installation of your new ceiling fan.
2. ALL electrical work should only be carried out by a suitably qualified and licenced electrical contractor. This ceiling fan **MUST** be installed **ONLY** by a suitably qualified and licenced electrical contractor.
3. This appliance is not intended for use by persons (including children) with reduced physical, sensory, or mental capabilities, or lack of experience and knowledge, unless they have been given supervision or instruction concerning the use of the appliance by a person responsible for their safety.
4. Do **NOT** allow children to play with this appliance, and supervise children around electrical devices at all times.
5. Before commencing any electrical work, ensure the power is disconnected and/or the mains switched off at the circuit box and ensure all pole isolation of the power supply.
6. The fixing point for your ceiling fan must be of sound construction, undamaged, and capable of supporting a load of 35Kg, or 4 times the weight of the fan plus the method of attachment, whichever is greater. Verifying the stability of the mounting structure is the sole responsibility of the consumer and qualified installer.
7. Care needs to be taken to ensure the installation location does not allow the fan blades to come into contact with any object or surface. There must be a minimum of 30cm clearance between the blade tip (end) and the nearest wall or object. Reduced clearances to walls or ceilings can also reduce the amount of air your fan can move.
8. The installation should also allow for a clearance of 2.1m between the floor and the bottom of the blades. The installation should allow for a minimum of 3.0m between ceiling fans.
9. The fan and the hanging bracket must be earthed.
10. The fan must be connected to a mains supply only. Fans connected to alternate power systems such as Solar, Wind, Battery etc will not be covered under the terms of this warranty.
11. Use **ONLY** the EGLO controller supplied with your fan, or a suitable EGLO controller designed specifically for your fan. Use of non-standard, non-EGLO or solid-state dimmer type controllers can cause inferior performance, and permanently induce a humming noise in your fan motor which cannot be repaired, and which will not be covered under warranty.
12. Do **NOT** change the direction of your fan whilst it is spinning. **ONLY** change the direction after the fan blades have come to a complete stop.
13. Do **NOT** insert any object into the fan blades whilst in operation, as this can cause damage to the fan, and personal injury.
14. Do **NOT** use ceiling fans and gas appliances in the same room at the same time.
15. All EGLO products are warranted to be free from defects in workmanship and materials provided the products are used with a voltage supply within the range the product is designed to operate.
16. This fan is designed for use indoors only, though can be installed in suitable undercover and protected outdoor areas.
17. EGLO lighting will not be liable for any advice given to the consumer from any of our suppliers or third parties, related or otherwise.
18. Proper performance relies on the right fan being correctly installed in the optimum location. Fans that do not perform as expected and which are not faulty cannot be replaced or exchanged under warranty.
19. The important safeguards and instructions in this manual are not designed to cover every possible condition or circumstance. It is understood that common sense, caution and care are factors that cannot be built into the product, those using and maintaining this product must supply these factors.

BEFORE INSTALLATION:

- Carefully unpack your fan on a soft surface to avoid damage to the fan finish.
- Do not lay the motor housing on its side, as the decorative housings may become bent or damaged. Your polyfoam packaging has been designed to 'hold' the fan and make assembly even easier.
- Check that all parts are present before commencing assembly. Refer to Parts List.
- If any parts are missing, carefully check the packaging, polyfoam and plastic bags for the missing parts, and if they cannot be located, contact EGLO for assistance before commencing assembly or installation.

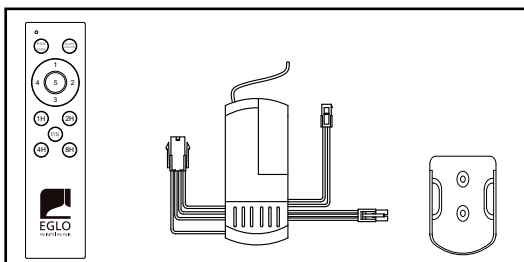
PARTS LIST:



Assembly Kit



Blade Screw and Washer x 13



Remote control x 1

Cradle x 1

Receiver x 1



Wood Screws & Washes x2

MODEL	INPUT	WATTAGE	LIGHT	WEIGHT
20490901, 20490902, 20490904	220-240V, 50Hz	28W	7W x 2 (Not Incl.)	6.3Kg
20491601, 20491602, 20491604	220-240V, 50Hz	28W	20W	6.1Kg
20491401, 20491402, 20491404	220-240V, 50Hz	28W	-	5,9Kg
20491201, 20491202, 20491204	220-240V, 50Hz	28W	7W x 2 (Not Incl.)	6.4Kg
20491701, 20491702, 20491704	220-240V, 50Hz	28W	20W	6.4Kg
20491501, 20491502, 20491504	220-240V, 50Hz	28W	-	6.1Kg

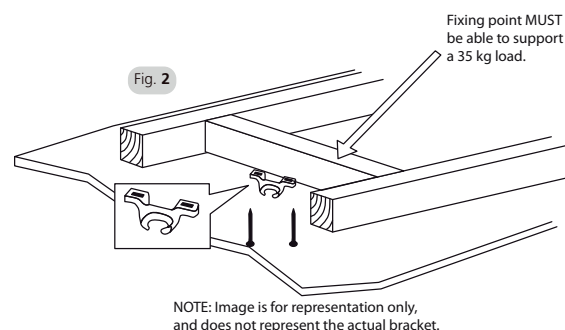
TOOLS REQUIRED:

- Phillips head screwdriver
- Pair of pliers
- Wire cutter
- Ladder
- Wiring supply cable as required by AS/NZS 3000 wiring rules.

Note: The use of electric drivers can overtighten the screws and damage threads, DO NOT use power tools for tightening screws.

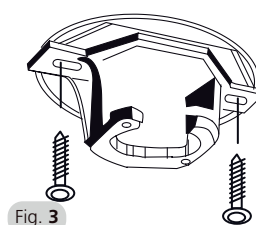
SELECTING A LOCATION:

1. The ceiling fan must be installed in a location so that the blades are a minimum 300mm spacing from the tip of the blade, to the nearest objects or walls.
2. The ceiling fan must be installed in a location so that the blades are a minimum 2.1m above the floor.
3. The fixing point for your ceiling fan must be of sound construction, undamaged, and capable of supporting a load of 35Kg, or 4 times the weight of the fan plus the method of attachment, whichever is greater. If the location does not have a solid mounting point, you will need to install a timber support between two ceiling joists. Refer to Fig. 2
4. Many EGLO fans are designed for indoor use, though they can also be installed in appropriately covered outdoor locations where the fan is fully undercover with a minimum of 2 walls. This fan is not waterproof. When installed in outdoor areas, the ceiling fan must be installed in a location protected from water, wind, dust, and salt. Exposure to these elements will void the warranty. In some more tropical areas of Australia, it is suggested you increase the distance from the fan to the edge of the roof.



INSTALLING THE HANGING BRACKET:

1. Install the hanging bracket to the ceiling joist or timber support with the long installation screws provided. Pass the screws through the slotted holes in the hanging bracket and secure to the ceiling. Refer Fig. 3
 2. Ensure that at least 30mm of the screw is threaded into the ceiling joist or timber support.
- Note:** The fixing screws included are designed for use with timber ceiling joists, for all other materials, the appropriate fixing screws will need to be purchased.



Note: Your fans hanging bracket allows for mounting on angled/sloped ceilings up to a 15-degree pitch. When mounted on angled/sloped ceilings, the hanger bracket must be installed so that the opening is facing UP the direction of ceiling pitch.

ASSEMBLING AND INSTALLING THE FAN:

IMPORTANT: Check that the power is disconnected and/or the mains switched off at the circuit box to ensure all pole isolation of the power supply.

1. The downrod and canopy have been pre-assembled at the factory for your convenience. Turn the fan motor upside and place into the polyfoam packaging. Refer Fig. 4
2. Remove 2 screws and the cover from the motor upper housing. Refer Fig.4
3. Working one blade at a time, place the blade into the slot in the motor housing centre band, and tighten both blade screws loosely, and when all blades are installed tighten all screws firmly. Refer Fig. 5
4. Re-check that all screws are properly tightened. And fix back the cover on motor upper housing by 2 screws.
5. For non-light models; attach the bottom cover (down cover) by aligning up against the bottom of the motor and twisting in a clockwise direction. Refer Fig. 6
6. For models with LED light; install the light shade by aligning with the light plate, and twisting in a clockwise direction. Refer Fig. 7
7. For models with E27 x2 light, install the 2 LED bulbs(Max.7W/socket), and the light shade by aligning with the light plate, and twisting in a clockwise direction. Refer Fig.8

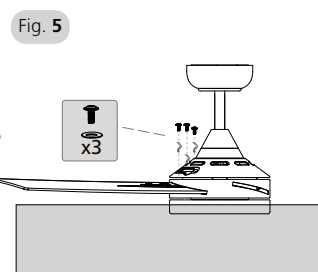
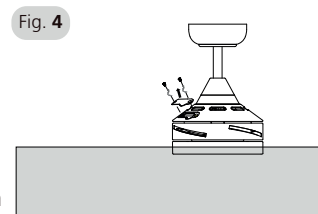


Fig. 6

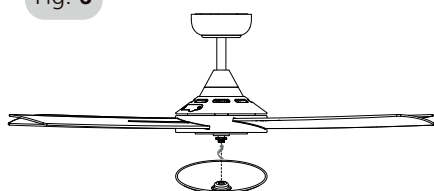


Fig. 7

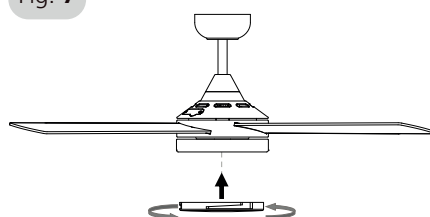
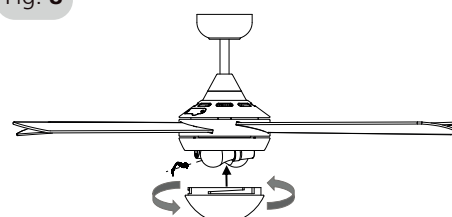


Fig. 8



Note: Before attaching light shade, change the colour of the LED light to your desired colour. Refer to "CHANGING THE COLOUR OF LED LIGHT"

8. Carefully lift the fan assembly up to the hanging bracket.
9. Seat the down rod ball assembly into the bracket, ensuring the notch in the hanger ball is positioned on the stopper of the hanger bracket to prevent the fan from rotating when in operation. Install the safety wire to the ceiling, the safety wire must be adjusted as short as possible and secure until snug. Refer Fig. 9
10. Wire the ceiling in accordance to; "Wiring Connections".
11. After completing the mains electrical connection at the terminal block, connect the ceiling fan wiring by connecting the quick connector plugs.

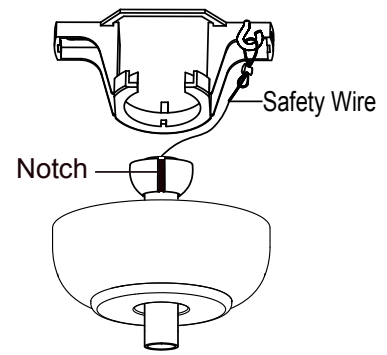


Fig.9

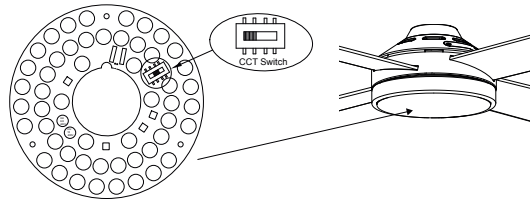
12. Raise the canopy up to the hanger bracket, and carefully tuck any cables inside the canopy as you slowly raise it to the ceiling. Fix the canopy to the hanger bracket with the canopy screws provided, and attach the canopy ring.

Note: The use of electric drivers can overtighten the screws and damage threads, DO NOT use power tools for tightening screws.

CHANGING THE COLOUR OF LED LIGHT:

The LED light is equipped with a colour changing toggle switch to change between warm white, neutral white or cool white. The switch is located on the LED board itself.

Warm: Ceiling fan and LED light must be switched off before changing the CCT



WIRING CONNECTIONS:

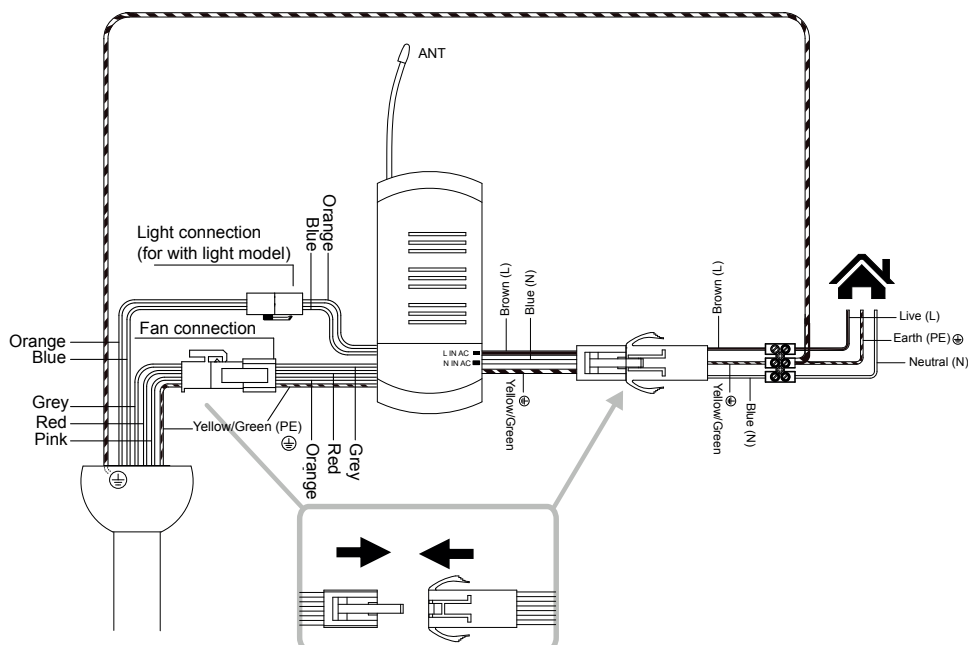
WARNING:
FOR YOUR SAFETY ALL ELECTRICAL CONNECTIONS MUST ONLY BE UNDERTAKEN BY A QUALIFIED AND LICENSED ELECTRICIAN.

WARNING: For safe use of this fan, an all-pole disconnection MUST be incorporated into the fixed wiring in accordance with the wiring rules. As outlined in clause 7.12.2 of AS/NZS 60335-1 for meeting the minimum electrical safety of this standard. Please note warranty will be void if the installation is without a means of an all-pole disconnection incorporated in the fixed wiring in accordance with the wiring rules.

A single pole isolation switch must be also placed in the same room as the fan as per local wiring regulations AS3000, in accordance with clause 2.3.2.2.1 & 4.13.1.3 of AS/NZ3000

Note: If there are two more ceiling fans installed in the one location/room, an isolation switch is required for EACH ceiling fan. This is required when programming any remote-control transmitter & receiver to pair together, and for fan servicing.

Note: The plug connector and wires "for light" not included on non-light models.



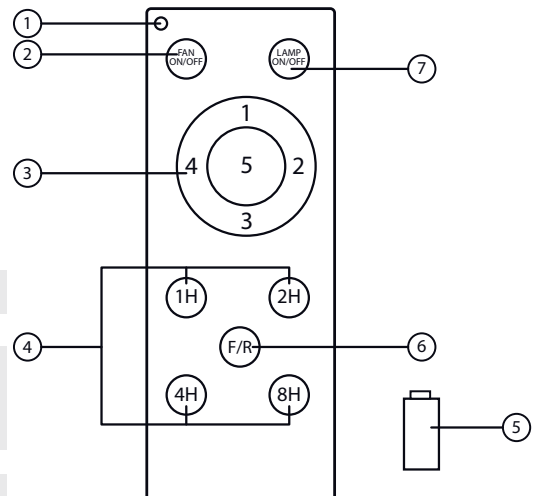
OPERATING YOUR REMOTE CONTROL:

1. LED Indicator light
2. Turn the fan ON/OFF (Light models only)
3. Fan speeds (1= Low, 5= High)
4. Timer control for the fan
(1H= Fan stops after 1 Hour, 8H= Fan stops after 8 Hours)
5. Battery for transmitter (not included)
6. Direction of the fan (Forward/Reverse)*
7. Turn the light ON/OFF (if the fan have light function)

Night mode* – Press “1 (low speed)” and hold for 3 seconds to operate.

F/R* – Press “F/R ” to operate. The fan will slow down and change direction. During the slow down period, the fan speed function is disabled until direction has been changed

Note: If not using the fan and remote for extended periods, remove the battery from the transmitter.



DIMMING THE LED LIGHT KIT:

The Stradbroke ceiling fan with LED light includes a step-dimming function. Operation of the light and the step-dimming is controlled by the 'Light On/Off button';

- Press and release to turn light on - 100%.
- Press off/on again within 3 seconds for dim to 50%
- Press off/on again within 3 seconds for dim to 10%
- Press off/on again within 3 seconds to return to 100%
- Press off more than 3 seconds and turn on, light returns to previous brightness setting.

CODE LEARNING MODE:

The remote control has been pre-paired with the fan for your convenience, however should you ever need to replace the remote control, follow these simple steps:

1. Within 30 seconds after the receiver is powered ON (connected), aim the transmitter towards the receiver and press the “FAN ON/OFF” button on the transmitter for 2~3 seconds.
2. When you hear a “beep”, the digital pairing is complete, and you can operate the fan normally.

Note: Please notice that the digital pairing will not function after 30 seconds since the receiver is powered on.

If the transmitter and receiver are not working or working properly, check:

1. The battery is in the correct position and making good contact, and replace batteries if necessary.
2. Is there any other radio frequency or remote-controlled devices nearby, devices using the same frequency can interfere with each device?
3. Low voltage in the batteries can affect the operation and signal reception. The LED indicator light will flash when the battery is low, replace the battery immediately.

REVERSE FUNCTION:

Your ceiling fan can operate either in fan mode or reverse fan mode.



SUMMER (Forward)

For a cooling effect during summer, your fan should run in a counter clockwise direction, forcing the room air down and outwards creating a wind chill effect that makes you feel cooler.



WINTER (Reverse)

During the winter, your fan should run in a clockwise direction at low speed. This will gently draw the warmer air down from the ceiling, balancing the rooms temperature, and allowing you to lower your heating thermostat.

CLEANING AND MAINTENANCE:

All EGLO ceiling fans need be maintained regularly to ensure performance is maintained.

Your fans natural movement can cause screws to loosen. Every 6 months, check that ALL screws are securely tightened with a screwdriver. All EGLO ventilation products should be cleaned regularly to insure against corrosion from salt, dust and moisture, both externally and internal (where allowed and possible).

For cleaning, a soft brush or lint-free cloth should be used to prevent scratching the finish. Surface smudges or an accumulation of dirt and dust can easily be removed by using a mild detergent and only a slightly dampened cloth.

Note: Do NOT use abrasive cleaning agents as they may damage the finish.

TROUBLE SHOOTING

WARNING: CEILING FAN MUST BE SWITCHED OFF AND ISOLATED BEFORE COMMENCING ANY TROUBLE SHOOTING

WOBBLE / BALANCE:

Please note that all ceiling fans are not the same, even fans of the same model, some may move more or less than others. Movement of a few centimetres is quite acceptable, and does not suggest the fan will fall if installed correctly.

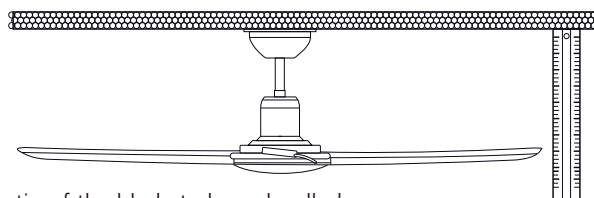
All ceiling fan blades are weighed and grouped by weight. It is impossible to eliminate wobble altogether and it should not be considered a fault. Ceiling fans tend to move during operation because they are not rigidly mounted.

To reduce the fan wobble:

- Check that all screws which fix the mounting bracket and down rod are tightly secured.
- Wobble may result from inconsistent blade level. Check this by measuring from the tip of the blade to the ceiling, and repeat on every blade.

If the measurements are different:

1. Check that the blade screws are not overly tightened, or loose, causing the tip of the blade to be unlevelled.
2. Out of shaped blades can unbalance the fan and cause wobble. Check by removing all blades and stacking on a flat level surface, and ensure all blades are a uniform shape.
3. Interchanging blades from the same model can redistribute the weight and result in smoother operation.



BALANCING KIT:

A balancing kit may be required to balance the ceiling fan at some stage if it becomes unbalanced over time. Please refer to the instructions contained with the balancing kit for details of how to use.

WARNING: If unusual oscillating movement is observed, stop using the ceiling fans immediately, and contact the customer care hotline.

NOISE:

When it is quiet, especially at night, you may hear occasional small noises. Slight power fluctuations and frequency signals superimposed in the electricity for off-peak hot water control, may cause a change in fan motor noise. THIS IS NORMAL.

Please allow a 24-hour "settling-in" period, as most noises associated with a new fan disappear during this initial period. Please note that this is not a product fault and as such is not covered under warranty. **All electric motors make noise to some extent!**

CHECKLIST:

(*) May require the assistance of a qualified and licenced electrical contractor.

PROBLEM	POSSIBLE CAUSE	POSSIBLE REMEDY
Fan or Light will not start.	Fuse or circuit breaker blown.	Turn power OFF. Check fuses and circuit breaker. (*)
	Loose mains connections to fan.	Turn power OFF. Check connections at terminal block. (*)
	Controller/switch not in correct position.	Turn power OFF. Check that controller/switch is in the correct position.
	Light kit not connected correctly.	Turn power OFF. Check that light kit plug connector is connected securely. (*)
Fan Wobbles.	Fan blades are not horizontal to the ceiling.	Refer to ' WOBBLE / BALANCING ' section of this manual.
	Blade screws are loose.	Check that all screws are securely tightened. Do NOT overtighten.
	Blades are out of shape.	Stack blades on a flat level surface, to ensure all blades are a uniform shape. Contact your retailer for replacement blades.
	Fan hanger ball not seated correctly in hanger bracket.	Turn power OFF. Support the fan very carefully, and rotate the hanger ball to ensure the registration slot is positioned on the stopper. (*)
Noisy	Top canopy touching ceiling.	Lower the decorative canopy so that it does not contact the ceiling.
	Loose blade screws.	Check that all screws are securely tightened. Do NOT overtighten.
	Hanging bracket not installed correctly.	Turn power OFF. Check and if necessary re-install the hanging bracket if not installed/ installed correctly. (*)
	Incorrect controller.	Turn power OFF. Change the controller to the supplied controller. (*)
	Ripple control signal noise.	Turn power OFF. Install a signal Filter. (*)
	Fan needs to settle in.	Allow 6-8 hours of operating time to allow fan to 'settle in'.

WARRANTY CLAIMS ON INSTALLED PRODUCTS:

EGLO Lighting (EGLO) will not be liable for charges incurred by the consumer for rectification, deinstallation or reinstallation unless approved by EGLO management in writing.

All claims are to be submitted in writing to head office with a copy of the original purchaser's receipt, a copy of the certificate of compliance and a completed Warranty Claims Form. Incomplete submissions will not be considered.

1. AUSTRALIAN CONSUMER LAW:

The benefits given to you the consumer in this warranty document are in addition to your other rights and remedies under a law in relation to the products to which this warranty document relates.

"YOUR CONSUMER RIGHTS": "Our goods come with guarantees that cannot be excluded under the Australian Consumer Law. You are entitled to a replacement or refund for a major failure and compensation for any other reasonably foreseeable loss or damage. You are also entitled to have the goods repaired or replaced if the goods fail to be of acceptable quality and the failure does not amount to a major failure."

Subject to "Your Consumer Rights" outlined above, but otherwise to the maximum extent permitted by law, EGLO will not be liable for any consequential or indirect loss or damage suffered or incurred by you in relation to an EGLO product, including but not limited to loss of use, loss or damage for business interruption, or profits.

2. LIMITED REPAIR / REPLACEMENT WARRANTY:

EGLO offers the original purchaser a repair or replacement of the EGLO product in cases where the product fails due to defective materials or workmanship, when installed and operated under normal domestic/residential conditions for 6 years from the date of original purchase. Please refer to the warranty period listed on each product to determine the warranty period which EGLO grants to the original purchaser of the EGLO product. The warranty period begins from the date of purchase. Also, please refer to WHAT IS NOT COVERED.

You must provide proof of purchase (such as the original dated purchase receipt/invoice) from an authorised EGLO reseller to make a warranty claim. You must also provide a certificate of compliance for the installation as required by law from the installing electrician for any item requiring installation by licensed electricians. Warranty claims submitted without this documentation WILL NOT BE ACCEPTED. This warranty will not apply if the ceiling fan is installed by anyone other than a qualified and licensed electrical contractor.

Light Globes (if supplied) are done so as a complimentary (free) item only, and not covered by warranty.

EGLO remote control receivers are often fitted into the fan mounting bracket for convenience, but are not an integral part of the fan (separately connected accessory), and are not covered by the warranty provisions of the fan itself. EGLO remote controls are covered by a 12-month replacement only warranty, where the original ceiling fan and remote was installed by a qualified and licenced electrical contractor.

Resetting/Changing of DIP switches in connected remote controls is not covered by warranty and a service call fee WILL apply.

Batteries (if supplied), are done so as a complimentary (free) item only, and are not covered by warranty.

REPAIRS / REPLACEMENTS

EGLO products presented for repair may be replaced by refurbished goods of the same type rather than being repaired at the discretion of EGLO. Refurbished parts may be used to repair the goods to proper order.

BALANCE OF WARRANTY

To the maximum extent permitted by law, any product replaced, repaired or refurbished by EGLO is covered only by the balance of the warranty period remaining from the date of original purchase of the original EGLO product.

3. IN-HOME WARRANTY:

In addition to the limited warranty terms set out under section (2) above, the in-home warranty applies for the first 3 years from the date of original purchase, to all ceiling fans which are hard wired to the electricity supply at residential premises, and are required to be installed by a licensed electrician.

Where a consumer asserts that a product installed in-home is faulty, and a EGLO service agent attends the property, **A SERVICE CALL FEE WILL BE CHARGED TO THE CONSUMER IF:**

1. The product is deemed to be a non-EGLO product.
2. There is nothing wrong with the EGLO product or to the extent that the failure is not a failure of the product to perform in accordance with its published features and specifications as reasonably determined by EGLO.
3. The fault is deemed to be within a connected remote control, and not the EGLO ceiling fan.
4. The original installation of the EGLO product was not carried out by a qualified and licensed electrician.
5. The installation is not performed in accordance with the relevant EGLO product installation instructions and all relevant local legislation, regulation and by-laws.
6. The defects have been caused by incorrect installation, application, operation, abuse or misuse by the consumer of the EGLO product.

In cases of in-home repair/replacements in areas outside the coverage of EGLO service agents, EGLO will reimburse customers a standard fee of \$82.50 (Inc. GST) for using their own electrician. To the maximum extent permitted by law, in cases where the installed product is outside the coverage of EGLO service agents, EGLO reserves the right to request a different electrician attend to the service call, if there is reasonable expectation that the fault may be the result of something other than the EGLO product.

BEFORE CALLING YOUR ELECTRICIAN, contact EGLO to make a service request with the EGLO warranty department and obtain an Approval Reference Number (ARN). Reimbursements will not be made for call-out fees or other costs without prior approval in writing of the EGLO warranty department.

The cost of repairs and/or service call where the fault is due to the installation and not due to faulty materials or manufacturing workmanship, will be payable by the consumer at the time of the repair.

In the circumstances where an emergency has arisen out of normal business hours and the EGLO warranty department cannot be contacted to dispatch a service agent to the premises, EGLO will reimburse customers their reasonable costs (as determined by EGLO) for using their own electrician.

Failure in part of the consumer to pay for the service call in case of any of the above, will result in the balance of the warranty being void, until all outstanding amount including taxes and costs have been recovered in full.

4. WARRANTY TRANSFER:

If the ownership changes on the dwelling/premises where the EGLO product is installed, the balance of the warranty period passes to the new owner provided the original proof of purchase (such as the original dated purchase receipt) from an authorised EGLO retailer is retained by the new owner. In addition, a certificate of compliance for the installation as required by law from the installing electrician is required for products requiring installation by licensed electricians.

Failure to transfer of these documents will result in the balance of the warranty being void.

5. WHAT IS NOT COVERED:

Subject to "Your Consumer Rights", but otherwise to the maximum extent permitted by law, the EGLO warranties provided in this document will not cover the following:

1. EGLO products that are not purchased from an authorised reseller in Australia and installed in Australia.
2. Where installation was not carried out by a qualified and licensed electrical contractor or where a valid Electrical Safety Certificate cannot be presented.
3. EGLO products not installed in accordance with the product's installation instructions or specifications.
4. EGLO products not operated in accordance with the instructions for use, or specifications.
5. EGLO products that have been modified in any manner, painted or used with non-standard blades, controllers (including capacitors), or mountings.
6. Changes to the ceiling fan motor or blades and or painted finishes due to climatic conditions (moisture, salt, dust etc) or after 6 months from the date of original purchase.
7. Defect, damage or failure to a EGLO product resulting from misuse, accident, neglect, abuse, tampering, modifications or unauthorised repairs of any kind by any person.
8. Damages not caused by a fault in the EGLO product materials or workmanship.
9. Defect, damage or failure to a EGLO product resulting from any acts of God, including damages from lightning, power grid fluctuations, or power surges.
10. Replacement of light sources (globes, LED boards, etc) unless specified.
11. Replacement of batteries supplied with certain products.
12. Power supply "noise", intermittent "humming", or other influences from mains power delivery infrastructure. Signals sent through the power grid by the electricity provider for the control of off peak hot water, street lights and other devices may cause an intermittent humming noise in your EGLO product. Filters for blocking & reducing such signals are available in Australia at the customer's expense. These noises do not indicate the EGLO product is faulty.
13. Damage caused by alternative power systems (for example: solar inverters, etc.).
14. Water damage of any kind caused by inappropriate placement of ceiling fans not IP rated for that location.
15. The cost of renting, obtaining and using special access equipment (i.e. scaffoldings, scissor lifts, etc.) for accessing products installed at a height of greater than 3.0 meters.
16. Travelling costs incurred by EGLO personnel or service agents traveling greater than 25 Km from an EGLO service agent base. The purchaser must meet these traveling costs.
17. Transportation and in-transit insurance costs, if the product or parts thereof have to be returned for repair or replacement to the retailer or the authorised service agent.
18. Non-structural corrosion damage of non-316 stainless steel components such as surface rust or minor rust.
19. Except in the case of pre-packed integrated light models, light fittings attached to the fan are not covered by this warranty. Where the fan is pre-packed complete with a light, the light fitting will be covered by LIMITED REPAIR / REPLACEMENT WARRANTY.
20. Faults deemed caused by a lack of regular maintenance, e.g. screws and nuts becoming loose.

6. COMMERCIAL USE:

EGLO products which are specifically designed for commercial use are designated as Commercial Use Products on the product packaging. All other EGLO products are designed for domestic use only. This fan is not designed or warranted for commercial applications unless authorised in writing by an EGLO representative.

WARRANTY CONDITIONS:

- This warranty is for 240V 50Hz products originally purchased in, and installed in Australia ONLY.
- Installation must be performed by a qualified and licensed electrician. The warranty will not apply if the product is installed by other than a qualified and licensed electrician.
- Problems arising from incorrect installation are not covered by warranty.
- The cost of repairs and/or service call arising from incorrect installation, not due to faulty material or workmanship in accordance with the EGLO warranty, will be payable by the purchaser at the time of repair.
- This warranty is only valid for appliances used according to the manufacturer's instructions.
- The manufacturer does not accept liability for any direct or consequential damage, loss or other expense arising from misuse or incorrect installation and operation of the appliance.
- Warranty will only be provided where proof of qualified electrical installation is provided. E.g. Electrical Safety Certificate.
- Warranty will not be provided if installation is without an all-pole disconnection incorporated in the fixed wiring in accordance with the wiring rules.
- The manufacturer will not accept in home expenses unless authorisation is granted prior to work commencing, and a CA number allocated by EGLO.
- Where a service call is undertaken and no fault is found with the ceiling fan, or where the fault is not covered under the terms of this warranty, a call-out fee may be charged.

HOW TO MAKE A WARRANTY CLAIM:

- A. Limited repair/replacement warranty:** Please return the faulty EGLO product together with a copy of the proof of purchase, and if required, a certificate of compliance for the installation of the product by the licensed electrician who installed the product, to the authorised EGLO retailer where the product was purchased. To the maximum extent permitted by law, the customer must bear the costs and expenses of claiming under this warranty, including but not limited to the cost incurred in freight, postage, handling, travel, dismantling or reinstalling the product.
- B. In-home repair/replacement warranty:** Where an in-home warranty applies, please phone the EGLO customer care hotline 1800 254 448 in Australia and do not phone or return the product to the retailer. Do not uninstall or return a hard-wired product to the retailer unless advised to do so by an EGLO customer service representative. This warranty does not cover installation faults, house wiring faults, loose blades or fittings or damage of any kind. Claims regarding corrosion damage are subject to case by case appraisal.

IN THE CASE OF MISSING ACCESSORIES OR PARTS, PLEASE CONTACT EGLO CUSTOMER SERVICE BEFORE COMMENCING INSTALLATION OF THE PRODUCT. IF YOUR PRODUCT IS DEFECTIVE OR EXCESSIVELY NOISY, PLEASE FIRST REFER TO THE TROUBLE SHOOTING SECTION OF THIS MANUAL AND PERFORM ALL CHECKS, AND THEN CONTACT EGLO CUSTOMER SERVICE BEFORE THE ELECTRICIAN LEAVES THE RESIDENCE WHERE THE INSTALLATION IS TAKING PLACE.



To help us assist you with your claim, please complete the enclosed warranty form in full.

WARRANTY CLAIM FORM

APPROVAL NO:

PURCHASE DETAILS			
Store Name:			
Date of Purchase:		Receipt:	YES <input type="checkbox"/> NO <input type="checkbox"/>
Contact Person:		Store Ph.:	

CUSTOMER DETAILS			
Name:			
Address:			
City, Suburb:		State:	
Postcode:		Ph-Home:	
Ph-Mobile:		Ph-Work:	
Email:			

INSTALLER DETAILS			
Name:			
Licence No.:		Install Date:	
Cert of Elect Safety:	YES <input type="checkbox"/> NO <input type="checkbox"/>	PH - Mobile:	
Email:			

PRODUCT DETAILS					
EGLO Model No.:	20491401 <input type="checkbox"/>	20491402 <input type="checkbox"/>	20491404 <input type="checkbox"/>	EGLO Name:	STRADBROKE
	20491501 <input type="checkbox"/>	20491502 <input type="checkbox"/>	20491504 <input type="checkbox"/>	20491601 <input type="checkbox"/>	20491602 <input type="checkbox"/>
	20491604 <input type="checkbox"/>	20491701 <input type="checkbox"/>	20491702 <input type="checkbox"/>	20491704 <input type="checkbox"/>	20490901 <input type="checkbox"/>
	20490902 <input type="checkbox"/>	20490904 <input type="checkbox"/>	20491201 <input type="checkbox"/>	20491202 <input type="checkbox"/>	20491204 <input type="checkbox"/>
Fault Details:					
Remote Control:	YES <input type="checkbox"/> NO <input type="checkbox"/>	Model No.:			

EGLO USE ONLY			
Date:		Electrician:	
Quote No.:		Cost to Rectify:	
Approved By:		Signed:	

Please email this form, together with a copy of your purchase receipt, and installers invoice to
EGLO LIGHTING: warranty@eglolighting.com.au, or call **1800 254 448** for assistance.



EGLO LIGHTING AUSTRALIA

5/339 Archerfield Road
Richlands
Queensland 4077
www.eglo.com.au