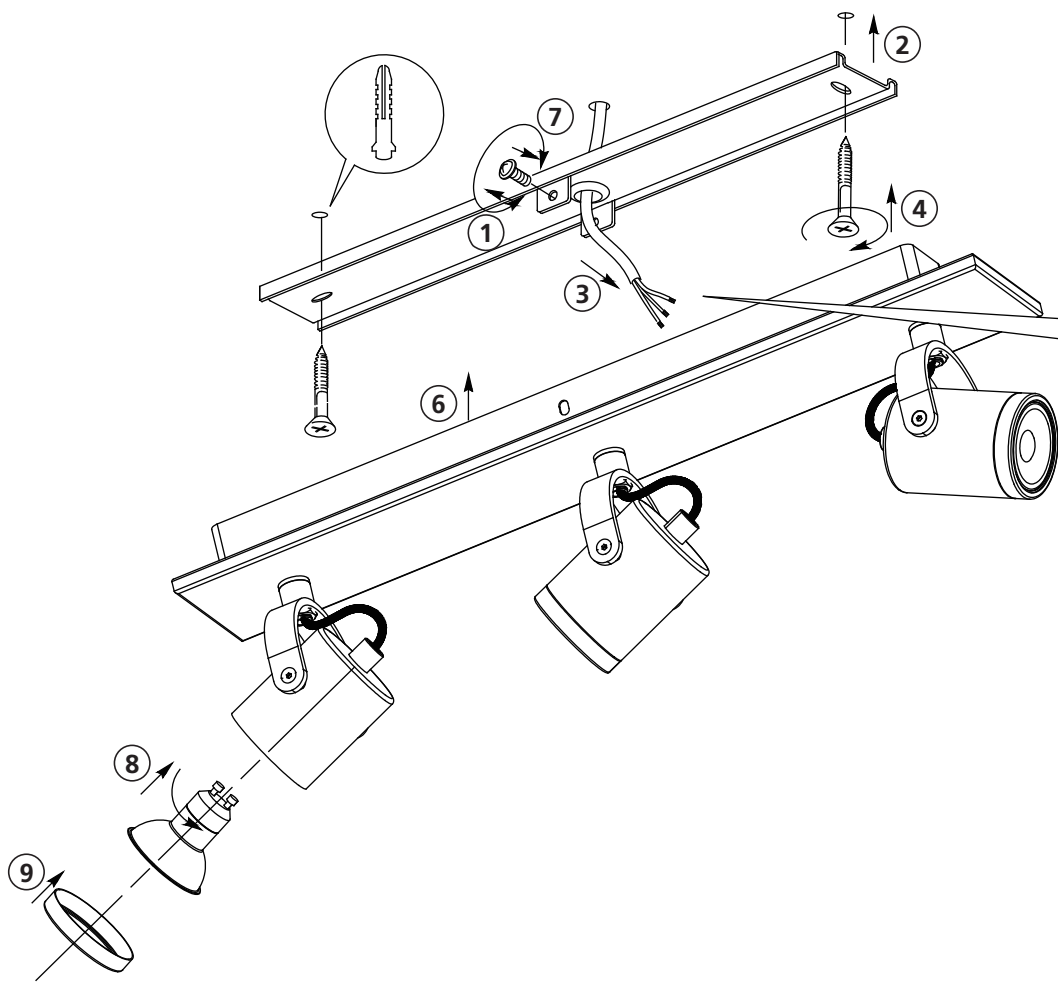
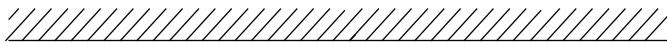


INSTRUCTIONS INSTRUCCIONES 204341M - PRACETA



A

B

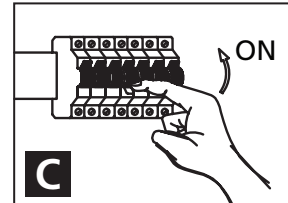
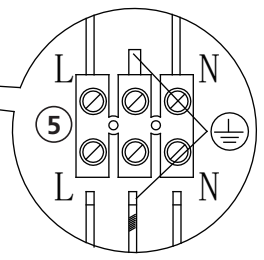


Wall anchors not included
Anclajes de pared no incluidas

$\Phi 6\text{mm}$ x2

Wall screws not included
Tornillos de pared no incluidas

$\Phi 7\text{mm}$ 25mm $\Phi 4\text{mm}$ x2



C