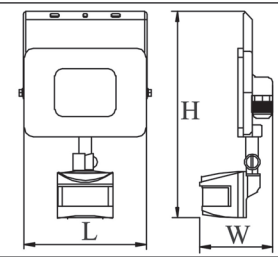
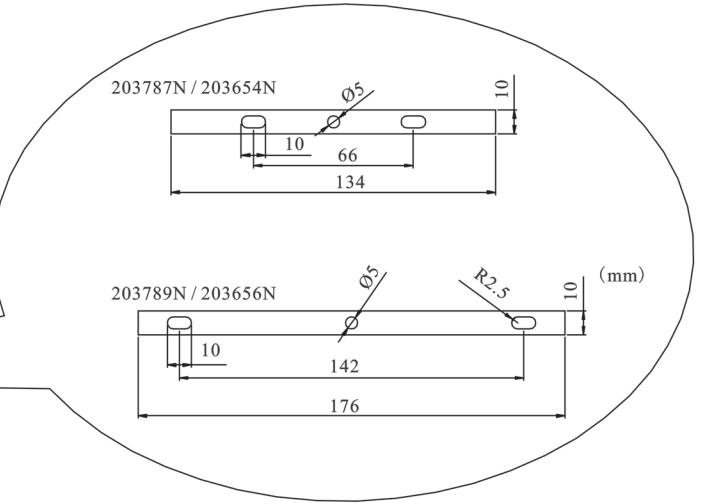
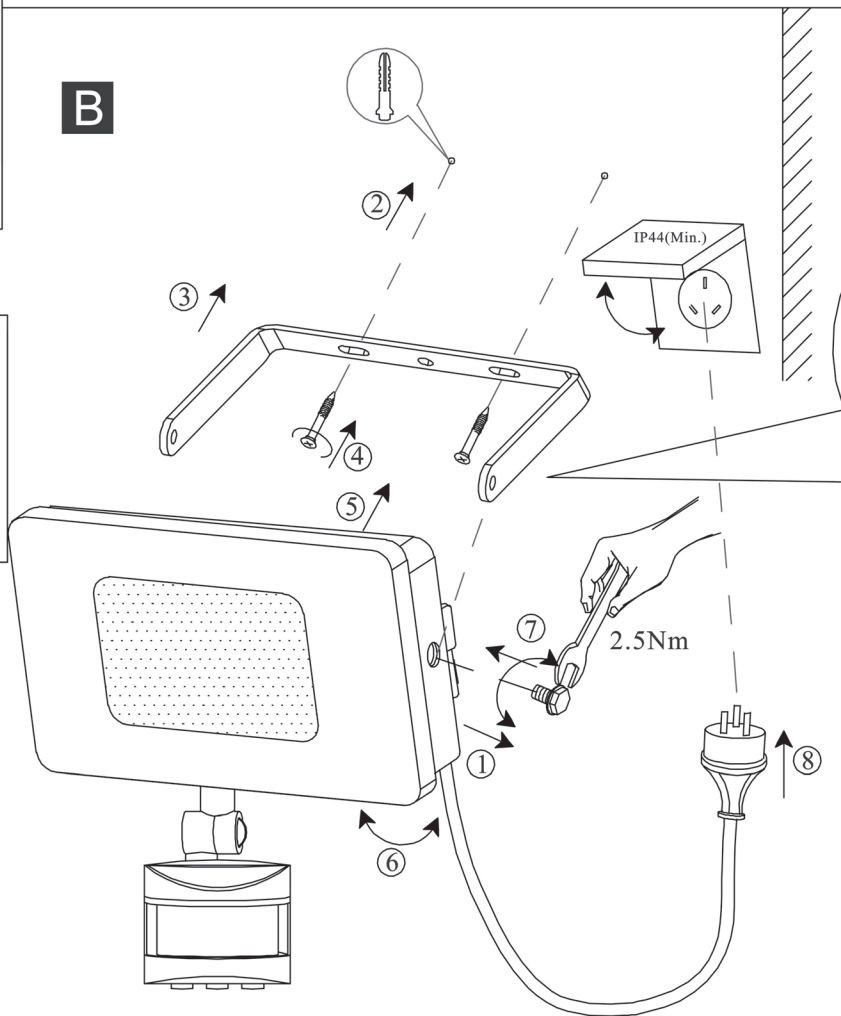
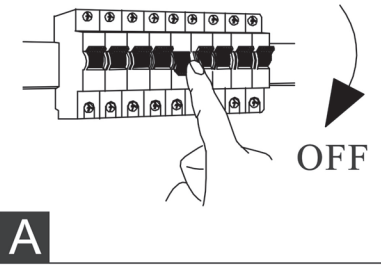


EGLO

Model	Overall dimensions (L*W*H: MM)	Wind Catching area (cm ²)	Weight (kg)	Mounting height(m)	IP degree
203787N / 203654N	132*180*76	237.6	0.38	≤5	IP44
203789N / 203656N	175*224*76	392	0.58	≤5	IP44



If the external flexible cable or cord of this luminaire is damaged, it shall be exclusively replaced by the manufacturer or his service agent or a similar qualified person in order to avoid a hazard.



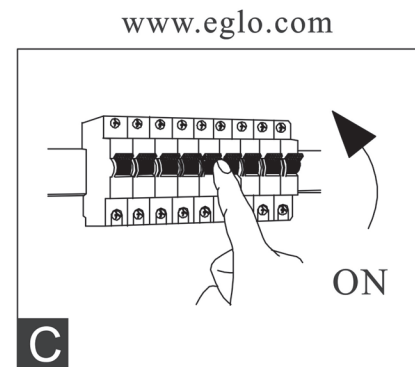
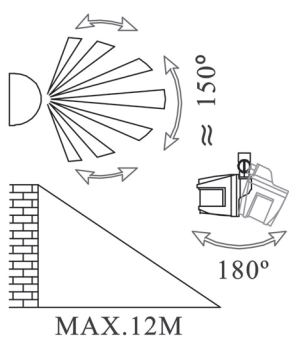
Manual Override:

Continuing mode ON:
Switch off and on within 1 second

Continuing mode OFF:
Switch off and waiting second.

Sensor mode:

TIME: 5-480s
LUX: 3-2200lux



www.eglo.com