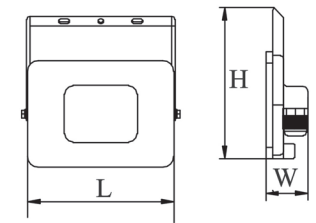


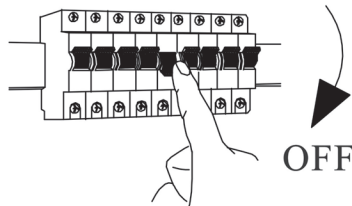
290.00 mm

EGLO

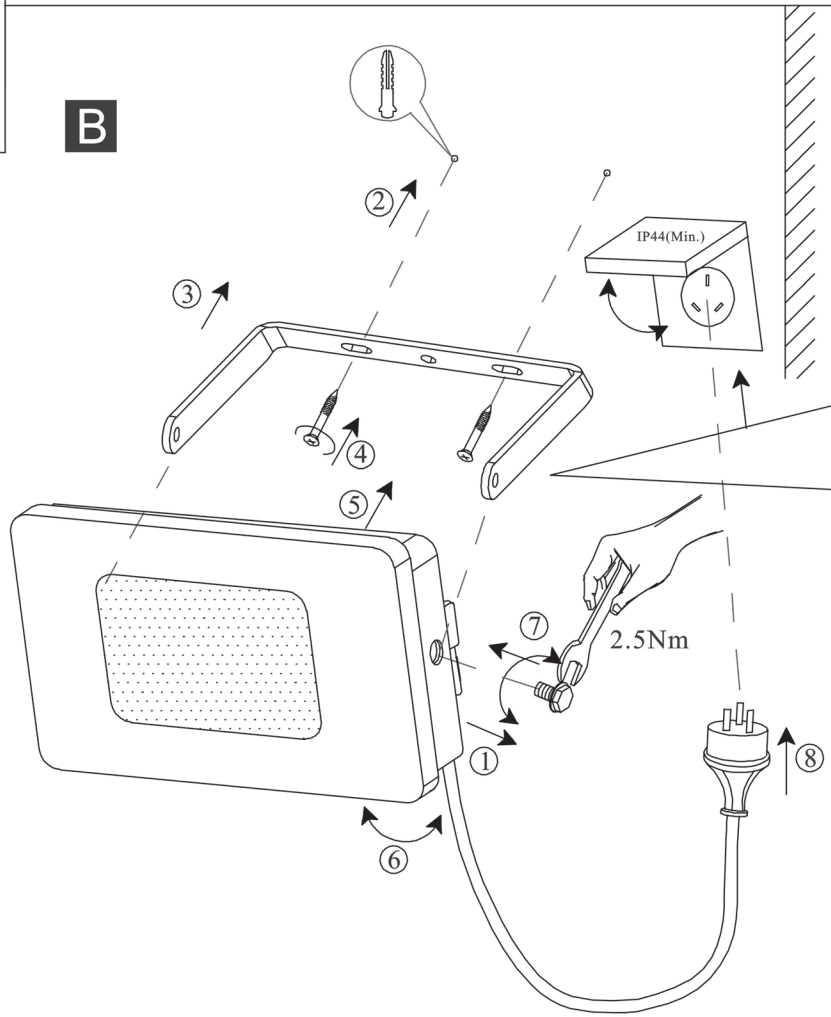
Model	Overall dimensions (L*W*H: MM)	Wind Catching area (cm ²)	Weight (kg)	Mounting height(m)	IP degree
203793N / 203792N	115*80*38	92	0.29	≤5	IP65
203786N / 203653N	132*90*38	118.8	0.33	≤5	IP65
203788N / 203655N	175*134*38	234.5	0.53	≤5	IP65
203791N / 203657N	205*145*38	297.2	0.63	≤5	IP65



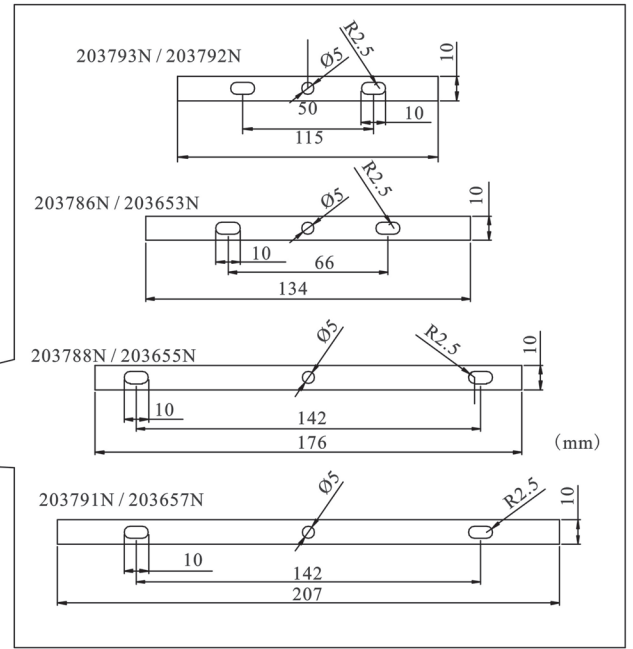
If the external flexible cable or cord of this luminaire is damaged, it shall be exclusively replaced by the manufacturer or his service agent or a similar qualified person in order to avoid a hazard.



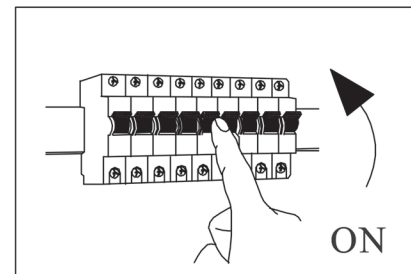
A



B



www.eglo.com



C

210.00 mm